



SSE2030



TECHNICAL INFORMATION

Flow (L/min)	30
Flow (US Gpm)	7,92
Rotation regime (rpm)	1450
Pressure (MPa)	20
Pressure (bar)	200
Pressure (psi)	2900
Power (hp)	15,6
Power (kW)	11,47
Overall dimensions L x l x h (mm)	340,5x242x5x176
Weight (kg)	21



Documents

Male shaft (key) - (plugs)

Male shaft (key) - (covers)

Double male shaft (key) - (plugs)

Double male shaft (key) - (covers)

Male shaft (key) - vers. ATEX - (plugs)

Male shaft (key) - vers. ATEX - (covers)

Illustration Male shaft (key) - (plugs)

KIT 228	KIT 2	KIT 3	KIT 218	KIT 208

Lubrificare con grasso di vasellina
cod. 12.0021.00
**
Lubricate with vaseline grease
cod. 12.0021.00

Fissare con Loctite 542
colore ROSSO cod.12.0062.00
*
Fix with red Loctite 542
cod. 12.0062.00

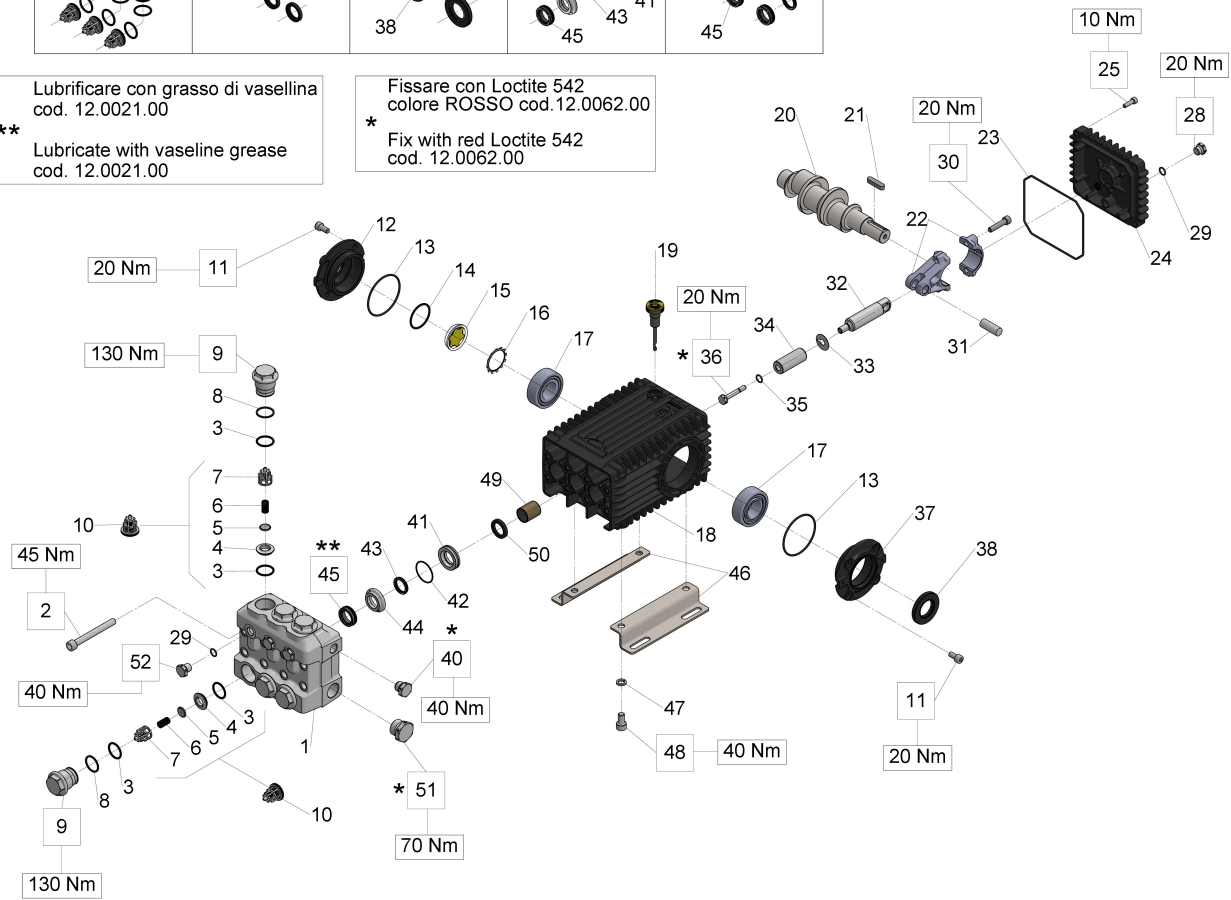


Illustration Male shaft (key) - (plugs)

Pos.	Code	Description	Qty	Notes
KIT3	34000301	KIT 3 OIL SEAL D.30X55X7	1	
KIT228	34022801		1	
KIT218	34021801		1	
KIT208	34020801		1	
KIT2	34000201	KIT 2 OIL SEAL D. 22X32X5,5	1	
52	98204600		3	
51	98226600	PLUG G3/4X16 S.S.	1	
50	90162500	OIL SEAL 22x32x5	3	
49	90912600	BUSHING 22X25X30	3	
48	99364400	SCREW M 10x18-5931	1	
47	96710600	WASHER 10,2	1	
46	47200074	PUMP FOOT	2	
45	90231200	H.P. SEAL D.22X32X10 (66HT)	3	
44	66217366		3	
43	90230000	L.P. SEAL D.22 (HT)	3	
42	90361600	O-RING 34,65X1,78 (2137)	3	
41	66081866		3	
40	98210066	PLUG G 3/8 X 13 STAINLESS	1	
38	90164800	OIL SEAL 30x55x7	1	
37	47151022	OPEN SIDE COVER (47-66)	1	
36	66219666		3	
35	90358400	O-RING D.10,82X1,78(2043)90SH3		
34	66040109	PISTON D. 22X54	3	
33	96709800		3	
32	66050166		3	
31	97740500	CONNECTING ROD-PIN D.14X39	3	
30	99309900	SCREW M 8x35 UNI 5931	6	
29	90358500	O-RING 10,82X1,78 (2043)	4	
28	98204000	PLUG G1/4X9 S.S.	1	
25	99188300	SCREW M6X20 S.S.	4	
24	66160022	REAR COVER	1	
23	90392200	O-RING D.133.02X 2,62(3525)	1	
22	66030001	CONNECTING ROD	3	
21	91489200	KEY 8(h9)X7X35 UNI 6604/A	1	
20	66020035	CRANKSHAFT C.19 - D. 24	1	
19	98210600	OIL DIP-STICK G3/8X80	1	
18	66010022	CRANKCASE	1	

Illustration Male shaft (key) - (plugs)

Pos.	Code	Description	Qty	Notes
17	91838000	ROLLER BEARING NJ2206EC	2	
16	90075600	CIRCLIP D.45 (ZJ45)	1	
15	70211801	OIL SIGHT GLASS	1	
14	90387700	O-RING 39,34X2,62 (3156)	1	
13	90391300	O-RING 67,95X2,62 (3268)	2	
12	47151222	SIDE CRANKCASE COVER FOR OIL GAUGE	1	
11	99303800	SCREW M8X16 - STAINLESS	8	
10	36713101		6	
9	66130266		6	
8	90516500	ANTI-EXTR.RING D.24.7x29x1.5	6	
7	36203551	VALVE CAGE	6	
6	94738800	SPRING Dm. 10x18.5	6	
5	36203476	SPHERICAL VALVE	6	
4	36203766		6	
3	90385700	O-RING 23,81X2,62 (132)	12	
2	99380200		8	
1	66120436		1	

Illustration Male shaft (key) - (covers)

KIT 228	KIT 2	KIT 3	KIT 218	KIT 208

****** Lubrificare con grasso di vasellina cod. 12.0021.00
****** Lubricate with vaseline grease cod. 12.0021.00

***** Fissare con Loctite 542 colore ROSSO cod.12.0062.00
***** Fix with red Loctite 542 cod. 12.0062.00

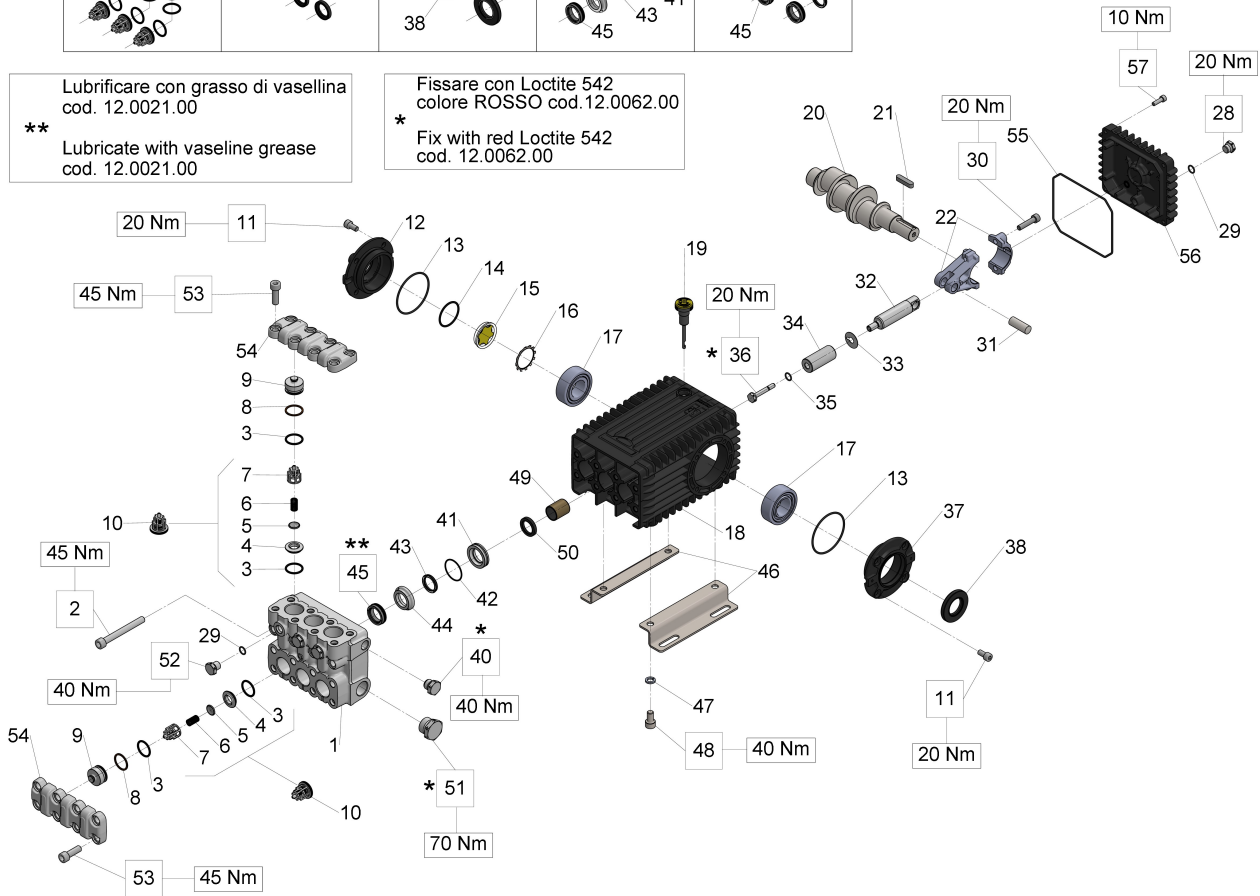


Illustration Male shaft (key) - (covers)

Pos.	Code	Description	Qty	Notes
KIT3	34000301	KIT 3 OIL SEAL D.30X55X7	1	
KIT228	34022801		1	
KIT218	34021801		1	
KIT208	34020801		1	
KIT2	34000201	KIT 2 OIL SEAL D. 22X32X5,5	1	
57	99188300	SCREW M6X20 S.S.	4	
56	66160022	REAR COVER	1	
55	90392200	O-RING D.133.02X 2,62(3525)	1	
54	66221636		2	
53	99368500		12	
52	98204600		3	
51	98226600	PLUG G3/4X16 S.S.	1	
50	90162500	OIL SEAL 22x32x5	3	
49	90912600	BUSHING 22X25X30	3	
48	99364400	SCREW M 10x18-5931	1	
47	96710600	WASHER 10,2	1	
46	47200074	PUMP FOOT	2	
45	90231200	H.P. SEAL D.22X32X10 (66HT)	3	
44	66217366		3	
43	90230000	L.P. SEAL D.22 (HT)	3	
42	90361600	O-RING 34,65X1,78 (2137)	3	
41	66081866		3	
40	98210066	PLUG G 3/8 X 13 STAINLESS	1	
38	90164800	OIL SEAL 30x55x7	1	
37	47151022	OPEN SIDE COVER (47-66)	1	
36	66219666		3	
35	90358400	O-RING D.10,82X1,78(2043)90SH3		
34	66040109	PISTON D. 22X54	3	
33	96709800		3	
32	66050166		3	
31	97740500	CONNECTING ROD-PIN D.14X39	3	
30	99309900	SCREW M 8x35 UNI 5931	6	
29	90358500	O-RING 10,82X1,78 (2043)	4	
28	98204000	PLUG G1/4X9 S.S.	1	
22	66030001	CONNECTING ROD	3	
21	91489200	KEY 8(h9)X7X35 UNI 6604/A	1	
20	66020035	CRANKSHAFT C.19 - D. 24	1	

Illustration Male shaft (key) - (covers)

Pos.	Code	Description	Qty	Notes
19	98210600	OIL DIP-STICK G3/8X80	1	
18	66010022	CRANKCASE	1	
17	91838000	ROLLER BEARING NJ2206EC	2	
16	90075600	CIRCLIP D.45 (ZJ45)	1	
15	70211801	OIL SIGHT GLASS	1	
14	90387700	O-RING 39,34X2,62 (3156)	1	
13	90391300	O-RING 67,95X2,62 (3268)	2	
12	47151222	SIDE CRANKCASE COVER FOR OIL GAUGE	1	
11	99303800	SCREW M8X16 - STAINLESS	8	
10	36713101		6	
9	66221766		6	
8	90516500	ANTI-EXTR.RING D.24.7x29x1.5	6	
7	36203551	VALVE CAGE	6	
6	94738800	SPRING Dm. 10x18.5	6	
5	36203476	SPHERICAL VALVE	6	
4	36203766		6	
3	90385700	O-RING 23,81X2,62 (132)	12	
2	99380200		11	
1	66125936		1	

Illustration Double male shaft (key) - (plugs)

KIT 228	KIT 2	KIT 3	KIT 218	KIT 208

Lubrificare con grasso di vasellina
cod. 12.0021.00

**
Lubricate with vaseline grease
cod. 12.0021.00

Fissare con Loctite 542
colore ROSSO cod. 12.0062.00

*
Fix with red Loctite 542
cod. 12.0062.00

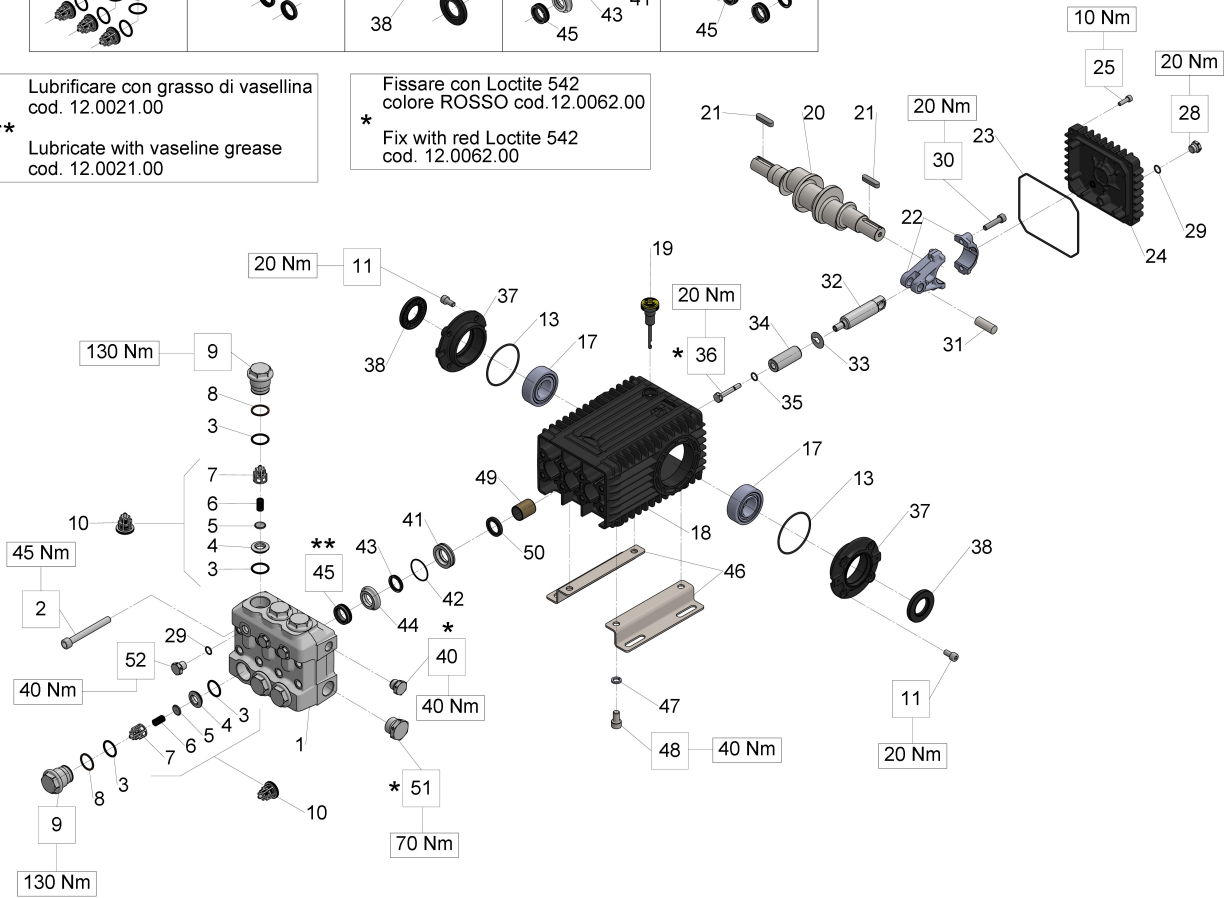


Illustration Double male shaft (key) - (plugs)

Pos.	Code	Description	Qty	Notes
KIT3	34000301	KIT 3 OIL SEAL D.30X55X7	1	
KIT228	34022801		1	
KIT218	34021801		1	
KIT208	34020801		1	
KIT2	34000201	KIT 2 OIL SEAL D. 22X32X5,5	1	
20	66021035	CRANKSHAFT C.19 - DUAL PTO	1	
52	98204600		3	
51	98226600	PLUG G3/4X16 S.S.	1	
50	90162500	OIL SEAL 22x32x5	3	
49	90912600	BUSHING 22X25X30	3	
48	99364400	SCREW M 10x18-5931	1	
47	96710600	WASHER 10,2	1	
46	47200074	PUMP FOOT	2	
45	90231200	H.P. SEAL D.22X32X10 (66HT)	3	
44	66217366		3	
43	90230000	L.P. SEAL D.22 (HT)	3	
42	90361600	O-RING 34,65X1,78 (2137)	3	
41	66081866		3	
40	98210066	PLUG G 3/8 X 13 STAINLESS	1	
38	90164800	OIL SEAL 30x55x7	2	
37	47151022	OPEN SIDE COVER (47-66)	2	
36	66219666		3	
35	90358400	O-RING D.10,82X1,78(2043)90SH3		
34	66040109	PISTON D. 22X54	3	
33	96709800		3	
32	66050166		3	
31	97740500	CONNECTING ROD-PIN D.14X39	3	
30	99309900	SCREW M 8x35 UNI 5931	6	
29	90358500	O-RING 10,82X1,78 (2043)	4	
28	98204000	PLUG G1/4X9 S.S.	1	
25	99188300	SCREW M6X20 S.S.	4	
24	66160022	REAR COVER	1	
23	90392200	O-RING D.133.02X 2,62(3525)	1	
22	66030001	CONNECTING ROD	3	
21	91489200	KEY 8(h9)X7X35 UNI 6604/A	2	
19	98210600	OIL DIP-STICK G3/8X80	1	

Illustration Double male shaft (key) - (plugs)

Pos.	Code	Description	Qty	Notes
18	66010022	CRANKCASE	1	
17	91838000	ROLLER BEARING NJ2206EC	2	
13	90391300	O-RING 67,95X2,62 (3268)	2	
11	99303800	SCREW M8X16 - STAINLESS	8	
10	36713101		6	
9	66130266		6	
8	90516500	ANTI-EXTR.RING D.24.7x29x1.5	6	
7	36203551	VALVE CAGE	6	
6	94738800	SPRING Dm. 10x18.5	6	
5	36203476	SPHERICAL VALVE	6	
4	36203766		6	
3	90385700	O-RING 23,81X2,62 (132)	12	
2	99380200		8	
1	66120436		1	

Illustration Double male shaft (key) - (covers)

KIT 228	KIT 2	KIT 3	KIT 218	KIT 208

****** Lubrificare con grasso di vasellina cod. 12.0021.00
****** Lubricate with vaseline grease cod. 12.0021.00

***** Fissare con Loctite 542 colore ROSSO cod. 12.0062.00
***** Fix with red Loctite 542 cod. 12.0062.00

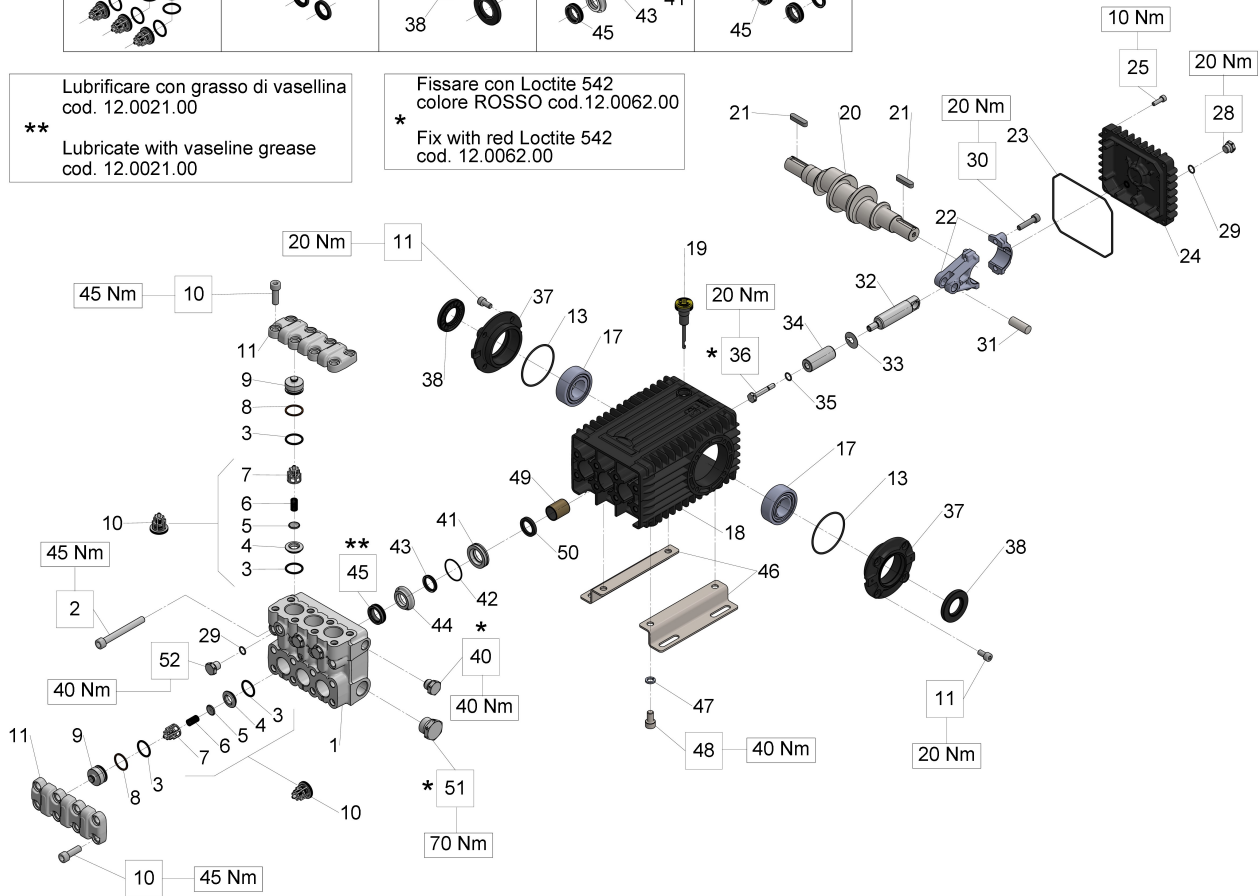


Illustration Double male shaft (key) - (covers)

Pos.	Code	Description	Qty	Notes
KIT3	34000301	KIT 3 OIL SEAL D.30X55X7	1	
KIT228	34022801		1	
KIT218	34021801		1	
KIT208	34020801		1	
KIT2	34000201	KIT 2 OIL SEAL D. 22X32X5,5	1	
20	66021035	CRANKSHAFT C.19 - DUAL PTO	1	
52	98204600		3	
51	98226600	PLUG G3/4X16 S.S.	1	
50	90162500	OIL SEAL 22x32x5	3	
49	90912600	BUSHING 22X25X30	3	
48	99364400	SCREW M 10x18-5931	1	
47	96710600	WASHER 10,2	1	
46	47200074	PUMP FOOT	2	
45	90231200	H.P. SEAL D.22X32X10 (66HT)	3	
44	66217366		3	
43	90230000	L.P. SEAL D.22 (HT)	3	
42	90361600	O-RING 34,65X1,78 (2137)	3	
41	66081866		3	
40	98210066	PLUG G 3/8 X 13 STAINLESS	1	
38	90164800	OIL SEAL 30x55x7	2	
37	47151022	OPEN SIDE COVER (47-66)	2	
36	66219666		3	
35	90358400	O-RING D.10,82X1,78(2043)90SH3		
34	66040109	PISTON D. 22X54	3	
33	96709800		3	
32	66050166		3	
31	97740500	CONNECTING ROD-PIN D.14X39	3	
30	99309900	SCREW M 8x35 UNI 5931	6	
29	90358500	O-RING 10,82X1,78 (2043)	4	
28	98204000	PLUG G1/4X9 S.S.	1	
25	99188300	SCREW M6X20 S.S.	4	
24	66160022	REAR COVER	1	
23	90392200	O-RING D.133.02X 2,62(3525)	1	
22	66030001	CONNECTING ROD	3	
21	91489200	KEY 8(h9)X7X35 UNI 6604/A	2	
19	98210600	OIL DIP-STICK G3/8X80	1	

Illustration Double male shaft (key) - (covers)

Pos.	Code	Description	Qty	Notes
18	66010022	CRANKCASE	1	
17	91838000	ROLLER BEARING NJ2206EC	2	
13	90391300	O-RING 67,95X2,62 (3268)	2	
11	66221636		2	
11	99303800	SCREW M8X16 - STAINLESS	8	
10	36713101		6	
10	99368500		12	
9	66221766		6	
8	90516500	ANTI-EXTR.RING D.24.7x29x1.5	6	
7	36203551	VALVE CAGE	6	
6	94738800	SPRING Dm. 10x18.5	6	
5	36203476	SPHERICAL VALVE	6	
4	36203766		6	
3	90385700	O-RING 23,81X2,62 (132)	12	
2	99380200		11	
1	66125936		1	

Illustration Male shaft (key) - vers. ATEX - (plugs)

KIT 228	KIT 2	KIT 3	KIT 218	KIT 208

Fissare con Loctite 542 colore ROSSO cod. 12.0062.00
 * Fix with red Loctite 542 cod. 12.0062.00

Lubrificare con grasso di vasellina cod. 12.0021.00
 ** Lubricate with vaseline grease cod. 12.0021.00

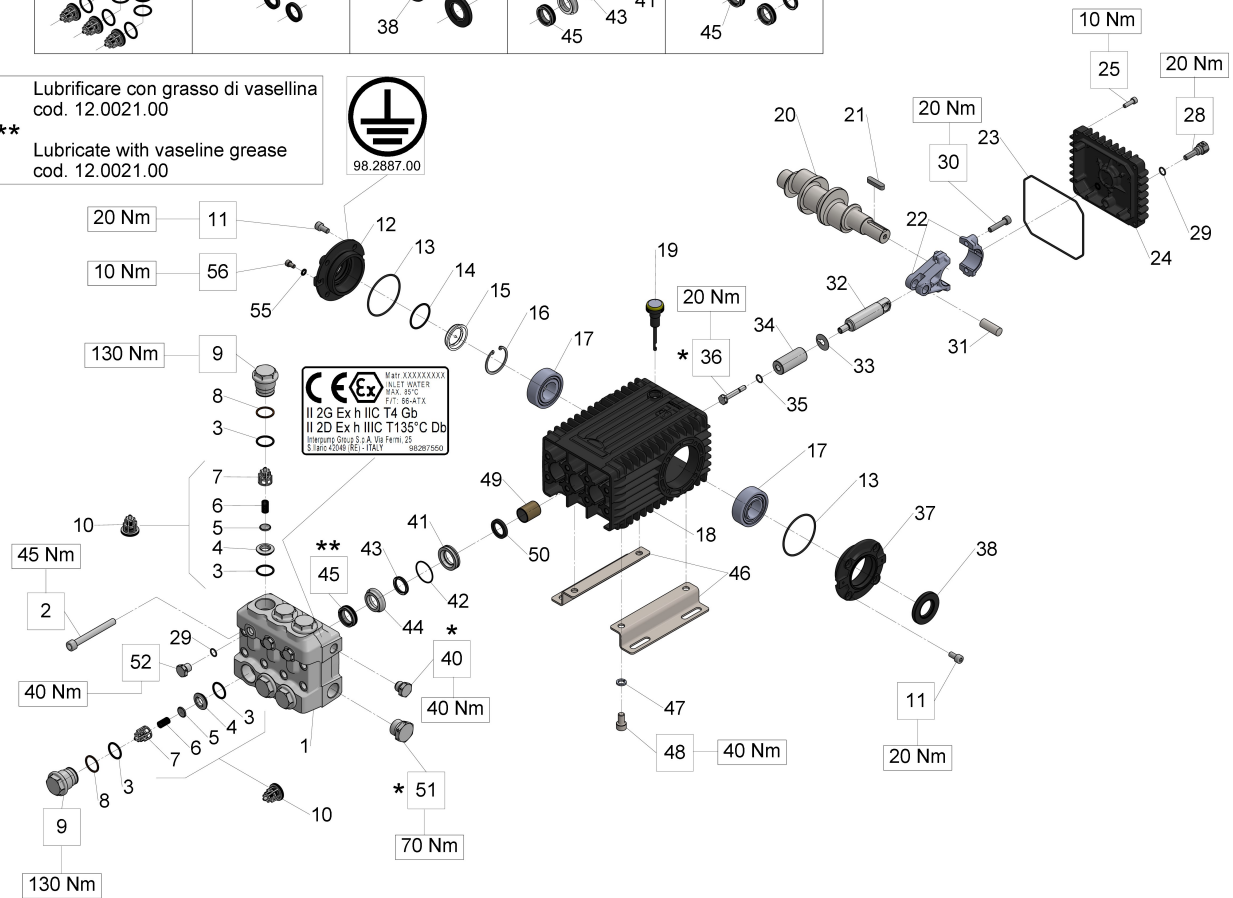


Illustration Male shaft (key) - vers. ATEX - (plugs)

Pos.	Code	Description	Qty	Notes
KIT3	34000301	KIT 3 OIL SEAL D.30X55X7	1	
KIT228	34022801		1	
KIT218	34021801		1	
KIT208	34020801		1	
KIT2	34000201	KIT 2 OIL SEAL D. 22X32X5,5	1	
56	99180900	SCREW M06X10 5931 A2-70	1	
55	96693950	WASHER 6.4x11.0x0.7 D6798A INOX	1	
52	98204600		3	
51	98226600	PLUG G3/4X16 S.S.	1	
50	90162500	OIL SEAL 22x32x5	3	
49	90912600	BUSHING 22X25X30	3	
48	99364400	SCREW M 10x18-5931	1	
47	96710600	WASHER 10,2	1	
46	47200074	PUMP FOOT	2	
45	90231200	H.P. SEAL D.22X32X10 (66HT)	3	
44	66217366		3	
43	90230000	L.P. SEAL D.22 (HT)	3	
42	90361600	O-RING 34,65X1,78 (2137)	3	
41	66081866		3	
40	98210066	PLUG G 3/8 X 13 STAINLESS	1	
38	90164800	OIL SEAL 30x55x7	1	
37	47151022	OPEN SIDE COVER (47-66)	1	
36	66219666		3	
35	90358400	O-RING D.10,82X1,78(2043)90SH3		
34	66040109	PISTON D. 22X54	3	
33	96709800		3	
32	66050166		3	
31	97740500	CONNECTING ROD-PIN D.14X39	3	
30	99309900	SCREW M 8x35 UNI 5931	6	
29	90358500	O-RING 10,82X1,78 (2043)	4	
28	98203600	PLUG G1/4x8 FOR PROBE D.6 S.S.	1	
25	99188300	SCREW M6X20 S.S.	4	
24	66160022	REAR COVER	1	
23	90392200	O-RING D.133.02X 2,62(3525)	1	
22	66030001	CONNECTING ROD	3	
21	91489200	KEY 8(h9)X7X35 UNI 6604/A	1	

Illustration Male shaft (key) - vers. ATEX - (plugs)

Pos.	Code	Description	Qty	Notes
20	66020035	CRANKSHAFT C.19 - D. 24	1	
19	98210700	OIL DIPSTICK G3/8X64 D4+FILTER ATEX	1	
18	66010022	CRANKCASE	1	
17	91838000	ROLLER BEARING NJ2206EC	2	
16	90075500	STOP RING J45 UNI7437	1	
15	70211751		1	
14	90387700	O-RING 39,34X2,62 (3156)	1	
13	90391300	O-RING 67,95X2,62 (3268)	2	
12	47151322	SIDE CRANKCASE COVER (ATEX)	1	
11	99303800	SCREW M8X16 - STAINLESS	8	
10	36713101		6	
9	66130266		6	
8	90516500	ANTI-EXTR.RING D.24.7x29x1.5	6	
7	36203551	VALVE CAGE	6	
6	94738800	SPRING Dm. 10x18.5	6	
5	36203476	SPHERICAL VALVE	6	
4	36203766		6	
3	90385700	O-RING 23,81X2,62 (132)	12	
2	99380200		8	
1	66120436		1	

Illustration Male shaft (key) - vers. ATEX - (covers)

Pos.	Code	Description	Qty	Notes
KIT3	34000301	KIT 3 OIL SEAL D.30X55X7	1	
KIT228	34022801		1	
KIT218	34021801		1	
KIT208	34020801		1	
KIT2	34000201	KIT 2 OIL SEAL D. 22X32X5,5	1	
55	99180900	SCREW M06X10 5931 A2-70	1	
54	96693950	WASHER 6.4x11.0x0.7 D6798A INOX	1	
52	98204600		3	
51	98226600	PLUG G3/4X16 S.S.	1	
50	90162500	OIL SEAL 22x32x5	3	
49	90912600	BUSHING 22X25X30	3	
48	99364400	SCREW M 10x18-5931	1	
47	96710600	WASHER 10,2	1	
46	47200074	PUMP FOOT	2	
45	90231200	H.P. SEAL D.22X32X10 (66HT)	3	
44	66217366		3	
43	90230000	L.P. SEAL D.22 (HT)	3	
42	90361600	O-RING 34,65X1,78 (2137)	3	
41	66081866		3	
40	98210066	PLUG G 3/8 X 13 STAINLESS	1	
38	90164800	OIL SEAL 30x55x7	1	
37	47151022	OPEN SIDE COVER (47-66)	1	
36	66219666		3	
35	90358400	O-RING D.10,82X1,78(2043)90SH3		
34	66040109	PISTON D. 22X54	3	
33	96709800		3	
32	66050166		3	
31	97740500	CONNECTING ROD-PIN D.14X39	3	
30	99309900	SCREW M 8x35 UNI 5931	6	
29	90358500	O-RING 10,82X1,78 (2043)	4	
28	98203600	PLUG G1/4x8 FOR PROBE D.6 S.S.	1	
25	99188300	SCREW M6X20 S.S.	4	
24	66160022	REAR COVER	1	
23	90392200	O-RING D.133.02X 2,62(3525)	1	
22	66030001	CONNECTING ROD	3	
21	91489200	KEY 8(h9)X7X35 UNI 6604/A	1	

Illustration Male shaft (key) - vers. ATEX - (covers)

Pos.	Code	Description	Qty	Notes
20	66020035	CRANKSHAFT C.19 - D. 24	1	
19	98210700	OIL DIPSTICK G3/8X64 D4+FILTER ATEX	1	
18	66010022	CRANKCASE	1	
17	91838000	ROLLER BEARING NJ2206EC	2	
16	90075500	STOP RING J45 UNI7437	1	
15	70211751		1	
14	90387700	O-RING 39,34X2,62 (3156)	1	
13	90391300	O-RING 67,95X2,62 (3268)	2	
12	47151322	SIDE CRANKCASE COVER (ATEX)	1	
11	66221636		2	
11	99303800	SCREW M8X16 - STAINLESS	8	
10	36713101		6	
10	99368500		12	
9	66221766		6	
8	90516500	ANTI-EXTR.RING D.24.7x29x1.5	6	
7	36203551	VALVE CAGE	6	
6	94738800	SPRING Dm. 10x18.5	6	
5	36203476	SPHERICAL VALVE	6	
4	36203766		6	
3	90385700	O-RING 23,81X2,62 (132)	12	
2	99380200		11	
1	66125936		1	