



VHT5808



TECHNICAL INFORMATION

Flow (L/min)	8 / 10
Flow (US Gpm)	2,11 / 2,64
Rotation regime (rpm)	1450 / 1750
Pressure (MPa)	17
Pressure (bar)	170
Pressure (psi)	2465
Power (hp)	3,53 / 4,4
Power (kW)	2,6 / 3,3
Overall dimensions L x l x h (mm)	241,5x215x129,5
Weight (kg)	7

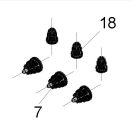
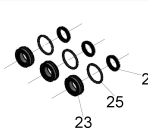
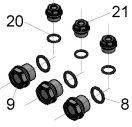
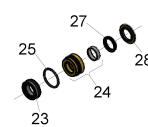
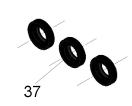


Documents

Male shaft (key)

Hollow shaft (key) Ø28 - vers. B

Illustration Male shaft (key)

<p>KIT 415</p> 	<p>KIT 416</p> 
<p>KIT 418</p> 	<p>KIT 417</p> 
<p>KIT 271</p> 	

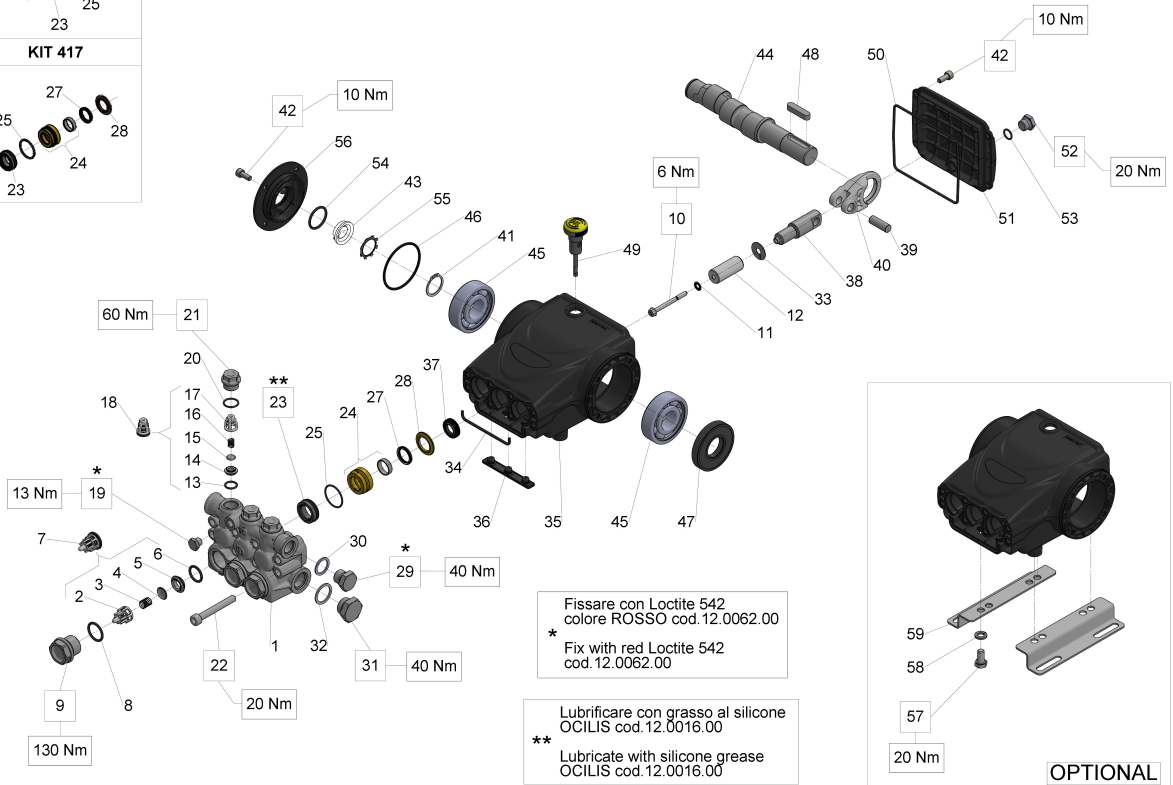


Illustration Male shaft (key)

Pos.	Code	Description	Qty	Notes
KIT418	34041801	KIT 418*GR. TAPPI ASP.E MAND. 1 (58.VHT)	1	
KIT417	34041701	KIT 417*TENUTA COMPLETA D.18 (58.VHT)	1	
KIT416	34041601	KIT 416*ANELLI DI TENUTA D.181 (58.VHT)	1	
KIT415	34041501	KIT 415*GR. VALV. ASPIRAZ. E MAND. (58.VHT)	1	
KIT271	34027101	KIT 271 OIL SEAL D.15 58/59 SERIES	1	
59	50200074	PUMP FOOT	2	
58	96701600	WASHER 8,4	4	
57	99303700	SCREW M 8x16-5739	4	
56	58150122	COPERCHIO LATERALE	1	
55	90067100	CIRCLIP ZJ30	1	
54	90385900	O-RING 25,07X2,62 (3100)	1	
53	90358500	O-RING 10,82X1,78 (2043)	1	
52	98204250	PLUG G1/4"x12	1	
51	58160022	REAR CRANKCASE COVER	1	
50	90392550	O-RING D.113.97X2.62	1	
49	98210500	OIL DIPSTICK G3/8x51 D.7	1	
48	91489200	KEY 8(h9)X7X35 UNI 6604/A	1	
47	90164100	OIL SEAL D.25X62X10	1	
46	90389800	O-RING 56,82X2,62 (3225)	1	
45	91833100	BALL BEARING 6305 SKF	2	
44	63020865	CRANKSHAFT C. 8 D. 24	1	
43	53210851	OIL LEVEL GAUGE	1	
42	99183700	SCREW M 6x14 UNI 5931	8	
41	90063500	CIRCLIP D. 25 UNI 7435	1	
40	58030022	CONNECTING ROD	3	
39	97734000	CONNECTING-ROD PIN D.10X29,5	3	
38	58050066	PISTON GUIDE	3	
37	90156550	OIL SEAL D.15X24X5/7	3	
36	58210451	PROTECTION	1	
35	58010022	PUMP CRANKCASE	1	
34	58210582	SPONGE GASKET D.3X94	1	
33	96699000	WASHER D.7.5X23X0.5	3	
32	96751400	WASHER 21,5X27X1,5	1	
31	98217900	PLUG G 1/2X10 NICKEL	1	
30	96738000	WASHER 17,5X23X1,5	1	
29	98209900	PLUG G. 3/8X13 NICKEL	1	

Illustration Male shaft (key)

Pos.	Code	Description	Qty	Notes
28	58211270	RING FOR PACKING D.18 HT	3	
27	90220000	SEAL D. 18X22,5 L.P.	3	
25	90360650	OR D. 26.70x1.78 HNBR 70SH 2106	3	
24	58606401	GR. SUPP. GUARN + BOCCOLA D.18 OT HT	3	
23	90221000	SEAL D. 18X28X10 H.P.	3	
22	99317500	SCREW M 8x60 UNI 5931	8	
21	98213750	PLUG M18X1,5X10 D.23 (NICK.)	3	
20	90359350	OR D. 15.60x1.78 HNBR 70SH 2062	3	
19	98196700	PLUG G 1/8 X 8 NICKEL	1	
18	36729801	GRUPPO VALVOLA MANDATA (58.VHT)	3	
17	36211151	VALVE CAGE	3	
16	94733300	SPRING D.6.2x10.5 S.S.	3	
15	36211276	SPHERICAL VALVE	3	
14	36211366	VALVE SEAT	3	
13	90367450	OR D. 12.00x2.00 HNBR 70SH	3	
12	58040209	PISTON D.18X42	3	
11	96690500	WASHER D.5X11.5x0.4 INOX+FKM58/59/63HT	3	
10	99169000	SCREW M05X55 SPEC. A2-70	3	
9	98222500	VALVE CAP M24X1,5X17 NICKEL	3	
8	90384750	O-RING D. 20.29x2.62 HNBR 90SH 3081	3	
7	36726201	INLET/OUTLET VALVE (60-63 VHT)	3	
6	90384150	O-RING D. 17.13x2.62 HNBR 70SH 3068	3	
5	36200366	VALVE SEAT	3	
4	36200176	VALVE PLATE	3	
3	94737600	SPRING D. 9,4X14,8	3	
2	36202551	VALVE CAGE	3	
1	58120741	MANIFOLD FOR PISTON D. 18 NICKEL PL.	1	

Illustration Hollow shaft (key) Ø28 - vers. B

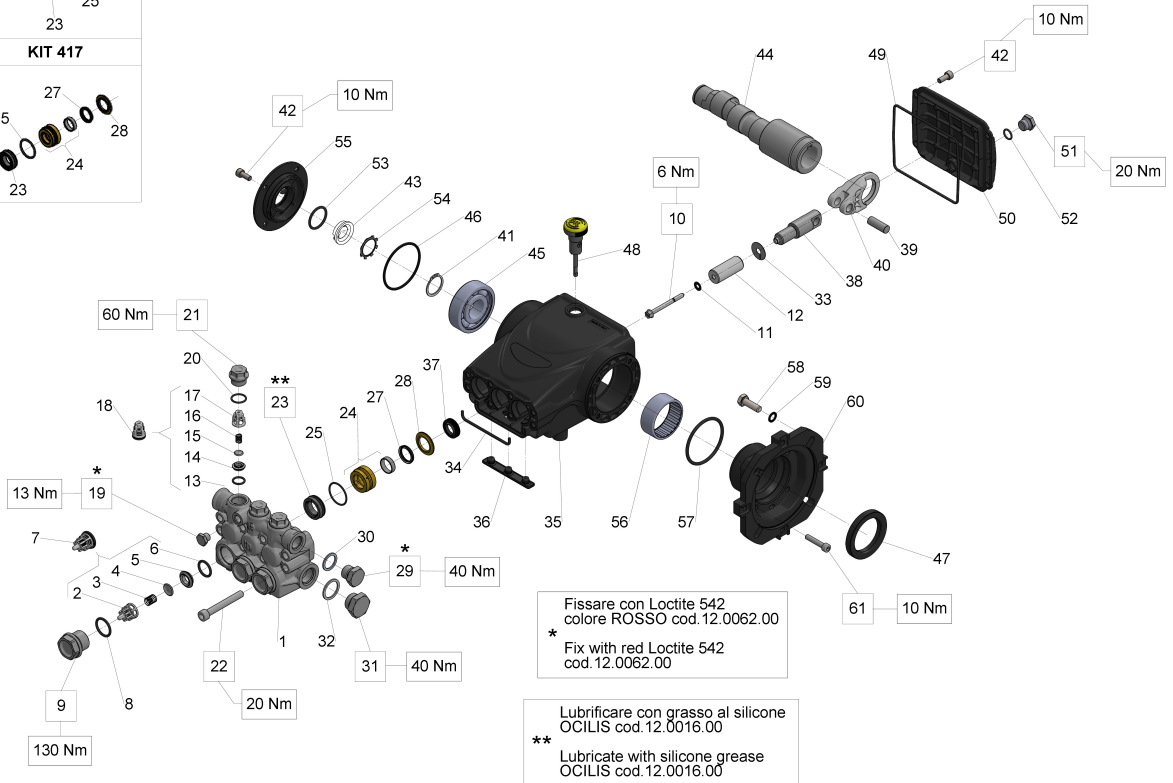
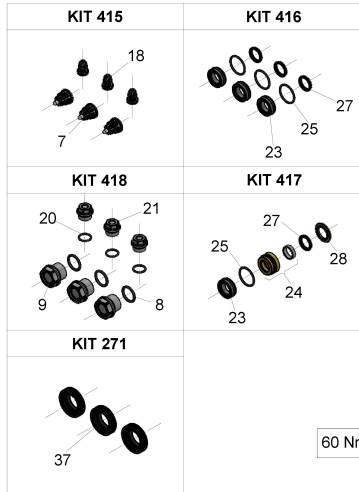


Illustration Hollow shaft (key) Ø28 - vers. B

Pos.	Code	Description	Qty	Notes
KIT418	34041801	KIT 418*GR. TAPPI ASP.E MAND. 1 (58.VHT)	1	
KIT417	34041701	KIT 417*TENUTA COMPLETA D.18 (58.VHT)	1	
KIT416	34041601	KIT 416*ANELLI DI TENUTA D.181 (58.VHT)	1	
KIT415	34041501	KIT 415*GR. VALV. ASPIRAZ. E MAND. (58.VHT)	1	
KIT271	34027101	KIT 271 OIL SEAL D.15 58/59 SERIES	1	
61	99191200	SCREW M 6x30 UNI 5931	4	
60	10049422	FLANGE FOR EL.MOT.B3B14 (EUR)	1	
59	96701400	WASHER 8,4X13X0,8	4	
58	99306700	SCREW M 8x25 UNI 5739	4	
57	90409700	O-RING 55,56X3,53 (159)	1	
56	91856800	NEEDLE BEARING DHK 4520	1	
55	58150122	COPERCHIO LATERALE	1	
54	90067100	CIRCLIP ZJ30	1	
53	90385900	O-RING 25,07X2,62 (3100)	1	
52	90358500	O-RING 10,82X1,78 (2043)	1	
51	98204250	PLUG G1/4"x12	1	
50	58160022	REAR CRANKCASE COVER	1	
49	90392550	O-RING D.113.97X2.62	1	
48	98210500	OIL DIPSTICK G3/8x51 D.7	1	
47	90169000	OIL SEAL D. 45X62X8	1	
46	90389800	O-RING 56,82X2,62 (3225)	1	
45	91833100	BALL BEARING 6305 SKF	1	
44	63024865	CRANKSHAFT C.8 D.28mm HOLLOW	1	
43	53210851	OIL LEVEL GAUGE	1	
42	99183700	SCREW M 6x14 UNI 5931	8	
41	90063500	CIRCLIP D. 25 UNI 7435	1	
40	58030022	CONNECTING ROD	3	
39	97734000	CONNECTING-ROD PIN D.10X29,5	3	
38	58050066	PISTON GUIDE	3	
37	90156550	OIL SEAL D.15X24X5/7	3	
36	58210451	PROTECTION	1	
35	58010022	PUMP CRANKCASE	1	
34	58210582	SPONGE GASKET D.3X94	1	
33	96699000	WASHER D.7.5X23X0.5	3	
32	96751400	WASHER 21,5X27X1,5	1	

Illustration Hollow shaft (key) Ø28 - vers. B

Pos.	Code	Description	Qty	Notes
31	98217900	PLUG G 1/2X10 NICKEL	1	
30	96738000	WASHER 17,5X23X1,5	1	
29	98209900	PLUG G. 3/8X13 NICKEL	1	
28	58211270	RING FOR PACKING D.18 HT	3	
27	90220000	SEAL D. 18X22,5 L.P.	3	
25	90360650	OR D. 26.70x1.78 HNBR 70SH 2106	3	
24	58606401	GR. SUPP. GUARN + BOCCOLA D.18 OT HT	3	
23	90221000	SEAL D. 18X28X10 H.P.	3	
22	99317500	SCREW M 8x60 UNI 5931	8	
21	98213750	PLUG M18X1,5X10 D.23 (NICK.)	3	
20	90359350	OR D. 15.60x1.78 HNBR 70SH 2062	3	
19	98196700	PLUG G 1/8 X 8 NICKEL	1	
18	36729801	GRUPPO VALVOLA MANDATA (58.VHT)	3	
17	36211151	VALVE CAGE	3	
16	94733300	SPRING D.6.2x10.5 S.S.	3	
15	36211276	SPHERICAL VALVE	3	
14	36211366	VALVE SEAT	3	
13	90367450	OR D. 12.00x2.00 HNBR 70SH	3	
12	58040209	PISTON D.18X42	3	
11	96690500	WASHER D.5X11.5x0.4 INOX+FKM58/59/63HT	3	
10	99169000	SCREW M05X55 SPEC. A2-70	3	
9	98222500	VALVE CAP M24X1,5X17 NICKEL	3	
8	90384750	O-RING D. 20.29x2.62 HNBR 90SH 3081	3	
7	36726201	INLET/OUTLET VALVE (60-63 VHT)	3	
6	90384150	O-RING D. 17.13x2.62 HNBR 70SH 3068	3	
5	36200366	VALVE SEAT	3	
4	36200176	VALVE PLATE	3	
3	94737600	SPRING D. 9,4X14,8	3	
2	36202551	VALVE CAGE	3	
1	58120741	MANIFOLD FOR PISTON D. 18 NICKEL PL.	1	