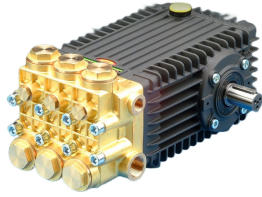




W3021



TECHNICAL INFORMATION

| | |
|-----------------------------------|-------------------|
| Flow (L/min) | 21 |
| Flow (US Gpm) | 5,54 |
| Rotation regime (rpm) | 1450 |
| Pressure (MPa) | 30 |
| Pressure (bar) | 300 |
| Pressure (psi) | 4350 |
| Power (hp) | 16 |
| Power (kW) | 11,76 |
| Overall dimensions L x l x h (mm) | 340,5x242,5x189,5 |
| Weight (kg) | 18,5 |



Documents

Male shaft (key)

Double male shaft (key)

Male shaft (key) - vers. ATEX

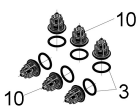
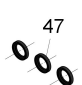
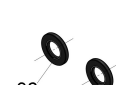
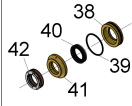
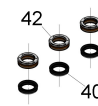
Illustration Male shaft (key)

| Pos. | Code | Description | Qty | Notes |
|--------|----------|--------------------------------|-----|-------|
| KIT3 | 34000301 | KIT 3 OIL SEAL D.30X55X7 | 1 | |
| KIT2 | 34000201 | KIT 2 OIL SEAL D. 22X32X5,5 | 1 | |
| KIT180 | 34018001 | KIT 180 SEALS D. 18 | 1 | |
| KIT176 | 34017601 | KIT176 COMPLETE SEALS D.18 | 1 | |
| KIT169 | 34016901 | KIT 169 INTAKE/DEL.VALVE (66) | 1 | |
| 51 | 98204300 | PLUG G1/4X10 | 3 | |
| 50 | 98226800 | PLUG G3/4X16 | 1 | |
| 49 | 96770000 | WASHER 26,5X32X1,5 | 1 | |
| 48 | 96738000 | WASHER 17,5X23X1,5 | 1 | |
| 47 | 90162500 | OIL SEAL 22x32x5 | 3 | |
| 46 | 90912600 | BUSHING 22X25X30 | 3 | |
| 45 | 99364400 | SCREW M 10x18-5931 | 4 | |
| 44 | 96710600 | WASHER 10,2 | 4 | |
| 43 | 47200074 | PUMP FOOT | 2 | |
| 42 | 90265500 | PACKING 18.0x28x10.0 HP 66 | 3 | |
| 41 | 66216370 | INTERMEDIATE RING D. 18 | 3 | |
| 40 | 90265200 | SEAL D.18X26X6,5 L.P. | 3 | |
| 39 | 90361600 | O-RING 34,65X1,78 (2137) | 3 | |
| 38 | 66080370 | PACKING RETAINER D.18 | 3 | |
| 37 | 98210000 | PLUG G3/8X13 | 1 | |
| 36 | 90164800 | OIL SEAL 30x55x7 | 1 | |
| 35 | 47151022 | OPEN SIDE COVER (47-66) | 1 | |
| 34 | 66219566 | PISTON BOLT | 3 | |
| 33 | 90358400 | O-RING D.10,82X1,78(2043)90SH3 | | |
| 32 | 66040309 | PISTON D.18X54 | 3 | |
| 31 | 96710100 | WASHER D. 10X28X0.5 | 3 | |
| 30 | 66050066 | PISTON GUIDE - S.S. | 3 | |
| 29 | 97740500 | CONNECTING ROD-PIN D.14X39 | 3 | |
| 28 | 99309900 | SCREW M 8x35 UNI 5931 | 6 | |
| 27 | 90358500 | O-RING 10,82X1,78 (2043) | 4 | |
| 26 | 98204250 | PLUG G1/4"x12 | 1 | |
| 25 | 99188400 | SCREW M 6x20 UNI 5931 | 4 | |
| 24 | 66160022 | REAR COVER | 1 | |
| 23 | 90392200 | O-RING D.133.02X 2,62(3525) | 1 | |
| 22 | 66030001 | CONNECTING ROD | 3 | |
| 21 | 91489200 | KEY 8(h9)X7X35 UNI 6604/A | 1 | |

Illustration Male shaft (key)

| Pos. | Code | Description | Qty | Notes |
|------|----------|------------------------------------|-----|-------|
| 20 | 66020035 | CRANKSHAFT C.19 - D. 24 | 1 | |
| 19 | 98210600 | OIL DIP-STICK G3/8X80 | 1 | |
| 18 | 66010022 | CRANKCASE | 1 | |
| 17 | 91838000 | ROLLER BEARING NJ2206EC | 2 | |
| 16 | 90075600 | CIRCLIP D.45 (Z145) | 1 | |
| 15 | 70211801 | OIL SIGHT GLASS | 1 | |
| 14 | 90387700 | O-RING 39,34X2,62 (3156) | 1 | |
| 13 | 90391300 | O-RING 67,95X2,62 (3268) | 2 | |
| 12 | 47151222 | SIDE CRANKCASE COVER FOR OIL GAUGE | 1 | |
| 11 | 99303900 | SCREW M 8x16 UNI 5931 | 8 | |
| 10 | 36712701 | INTAKE/DEL.VALVE ASSY(66) | 6 | |
| 9 | 66130041 | VALVE CAP M32x1.5x29.5 | 6 | |
| 8 | 90516500 | ANTI-EXTR.RING D.24.7x29x1.5 | 6 | |
| 7 | 36203551 | VALVE CAGE | 6 | |
| 6 | 94738800 | SPRING Dm. 10x18.5 | 6 | |
| 5 | 36203476 | SPHERICAL VALVE | 6 | |
| 4 | 36203366 | VALVE SEAT | 6 | |
| 3 | 90385700 | O-RING 23,81X2,62 (132) | 12 | |
| 2 | 99380100 | SCREW M10X90 UNI 5931 8.8 | 8 | |
| 1 | 66124541 | PUMP MANIFOLD D.18 LP | 1 | |

Illustration Double male shaft (key)

| KIT 169 | KIT 2 | KIT 3 | KIT 176 | KIT 180 |
|---|---|---|---|---|
|  |  |  |  |  |

**
Lubrificare con grasso di vasellina
cod. 12.0021.00
Lubricate with vaseline grease
cod. 12.0021.00

*
Fissare con Loctite 542
colore ROSSO cod. 12.0062.00
Fix with red Loctite 542
cod. 12.0062.00

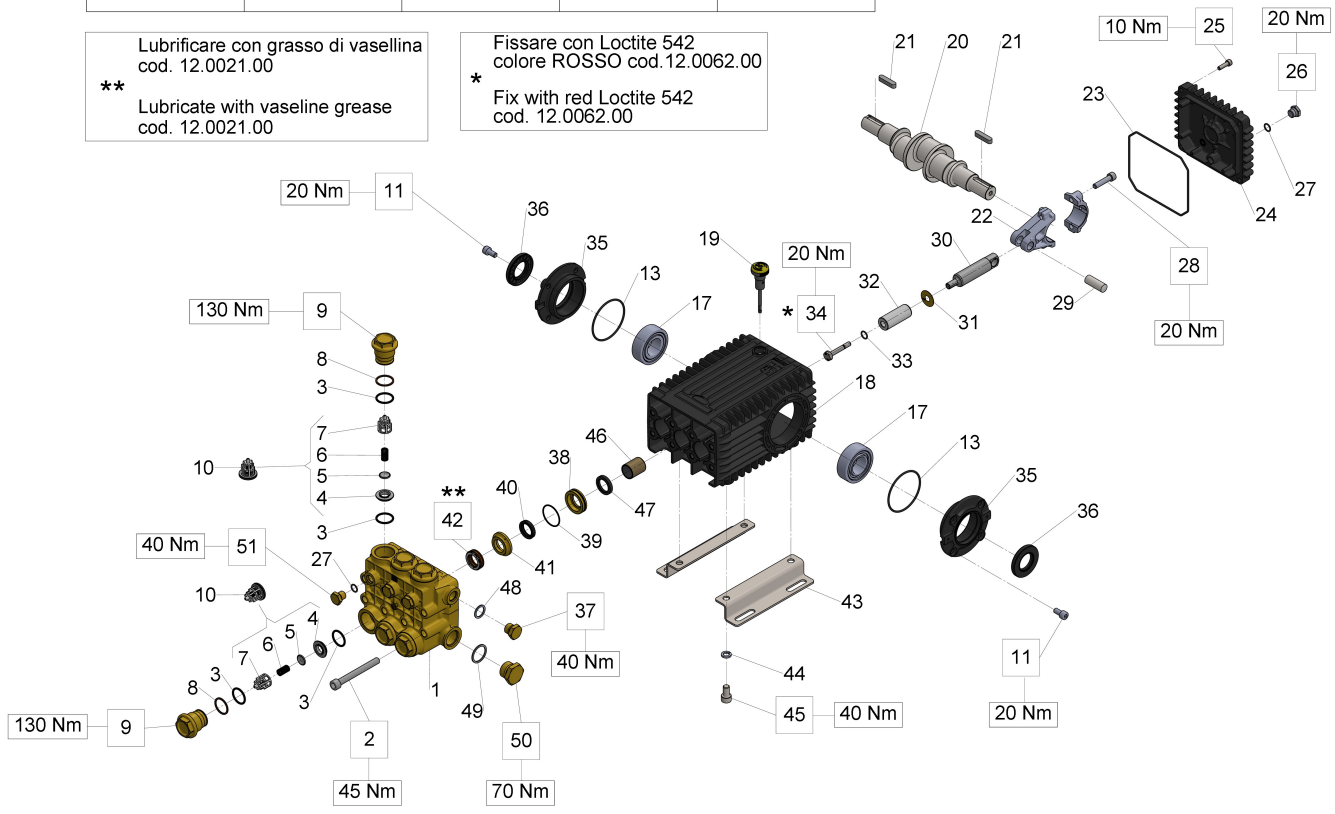


Illustration Double male shaft (key)

| Pos. | Code | Description | Qty | Notes |
|--------|----------|--------------------------------|-----|-------|
| KIT3 | 34000301 | KIT 3 OIL SEAL D.30X55X7 | 1 | |
| KIT2 | 34000201 | KIT 2 OIL SEAL D. 22X32X5,5 | 1 | |
| KIT180 | 34018001 | KIT 180 SEALS D. 18 | 1 | |
| KIT176 | 34017601 | KIT176 COMPLETE SEALS D.18 | 1 | |
| KIT169 | 34016901 | KIT 169 INTAKE/DEL.VALVE (66) | 1 | |
| 51 | 98204300 | PLUG G1/4X10 | 3 | |
| 50 | 98226800 | PLUG G3/4X16 | 1 | |
| 49 | 96770000 | WASHER 26,5X32X1,5 | 1 | |
| 48 | 96738000 | WASHER 17,5X23X1,5 | 1 | |
| 47 | 90162500 | OIL SEAL 22x32x5 | 3 | |
| 46 | 90912600 | BUSHING 22X25X30 | 3 | |
| 45 | 99364400 | SCREW M 10x18-5931 | 4 | |
| 44 | 96710600 | WASHER 10,2 | 4 | |
| 43 | 47200074 | PUMP FOOT | 2 | |
| 42 | 90265500 | PACKING 18.0x28x10.0 HP 66 | 3 | |
| 41 | 66216370 | INTERMEDIATE RING D. 18 | 3 | |
| 40 | 90265200 | SEAL D.18X26X6,5 L.P. | 3 | |
| 39 | 90361600 | O-RING 34,65X1,78 (2137) | 3 | |
| 38 | 66080370 | PACKING RETAINER D.18 | 3 | |
| 37 | 98210000 | PLUG G3/8X13 | 1 | |
| 36 | 90164800 | OIL SEAL 30x55x7 | 2 | |
| 35 | 47151022 | OPEN SIDE COVER (47-66) | 2 | |
| 34 | 66219566 | PISTON BOLT | 3 | |
| 33 | 90358400 | O-RING D.10,82X1,78(2043)90SH3 | | |
| 32 | 66040309 | PISTON D.18X54 | 3 | |
| 31 | 96710100 | WASHER D. 10X28X0.5 | 3 | |
| 30 | 66050066 | PISTON GUIDE - S.S. | 3 | |
| 29 | 97740500 | CONNECTING ROD-PIN D.14X39 | 3 | |
| 28 | 99309900 | SCREW M 8x35 UNI 5931 | 6 | |
| 27 | 90358500 | O-RING 10,82X1,78 (2043) | 4 | |
| 26 | 98204250 | PLUG G1/4"x12 | 1 | |
| 25 | 99188400 | SCREW M 6x20 UNI 5931 | 4 | |
| 24 | 66160022 | REAR COVER | 1 | |
| 23 | 90392200 | O-RING D.133.02X 2,62(3525) | 1 | |
| 22 | 66030001 | CONNECTING ROD | 3 | |
| 21 | 91489200 | KEY 8(h9)X7X35 UNI 6604/A | 2 | |

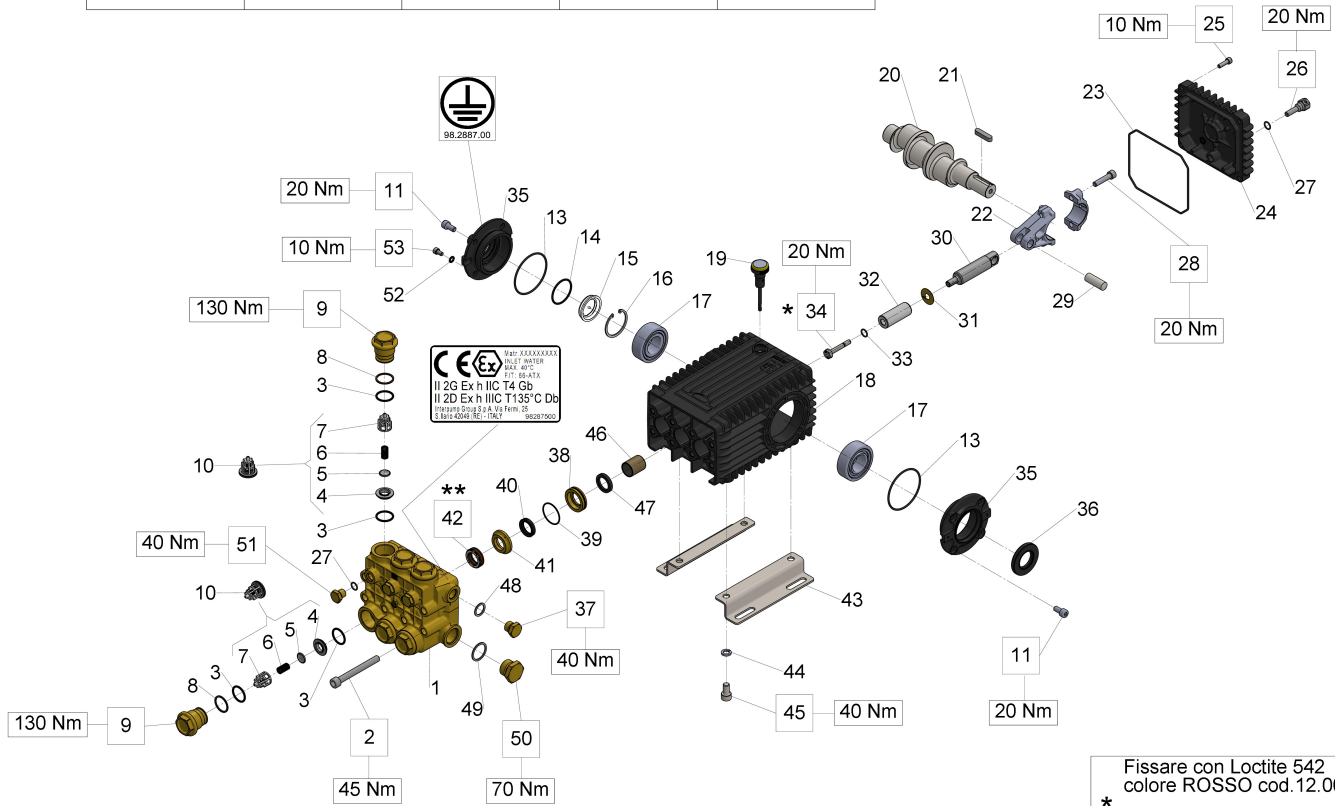
Illustration Double male shaft (key)

| Pos. | Code | Description | Qty | Notes |
|------|----------|------------------------------|-----|-------|
| 20 | 66021035 | CRANKSHAFT C.19 - DUAL PTO | 1 | |
| 19 | 98210600 | OIL DIP-STICK G3/8X80 | 1 | |
| 18 | 66010022 | CRANKCASE | 1 | |
| 17 | 91838000 | ROLLER BEARING NJ2206EC | 2 | |
| 13 | 90391300 | O-RING 67,95X2,62 (3268) | 2 | |
| 11 | 99303900 | SCREW M 8x16 UNI 5931 | 8 | |
| 10 | 36712701 | INTAKE/DEL.VALVE ASSY(66) | 6 | |
| 9 | 66130041 | VALVE CAP M32x1.5x29.5 | 6 | |
| 8 | 90516500 | ANTI-EXTR.RING D.24.7x29x1.5 | 6 | |
| 7 | 36203551 | VALVE CAGE | 6 | |
| 6 | 94738800 | SPRING Dm. 10x18.5 | 6 | |
| 5 | 36203476 | SPHERICAL VALVE | 6 | |
| 4 | 36203366 | VALVE SEAT | 6 | |
| 3 | 90385700 | O-RING 23,81X2,62 (132) | 12 | |
| 2 | 99380100 | SCREW M10X90 UNI 5931 8.8 | 8 | |
| 1 | 66124541 | PUMP MANIFOLD D.18 LP | 1 | |

Illustration Male shaft (key) - vers. ATEX

| KIT 169 | KIT 2 | KIT 3 | KIT 176 | KIT 180 |
|---------|-------|-------|---------|---------|
| | | | | |

Lubrificare con grasso di vasellina
cod. 12.0021.00
**
Lubricate with vaseline grease
cod. 12.0021.00



Fissare con Loctite 542
colore ROSSO cod.12.0062.00
*
Fix with red Loctite 542
cod. 12.0062.00

Illustration Male shaft (key) - vers. ATEX

| Pos. | Code | Description | Qty | Notes |
|--------|----------|---------------------------------|-----|-------|
| KIT3 | 34000301 | KIT 3 OIL SEAL D.30X55X7 | 1 | |
| KIT2 | 34000201 | KIT 2 OIL SEAL D. 22X32X5,5 | 1 | |
| KIT180 | 34018001 | KIT 180 SEALS D. 18 | 1 | |
| KIT176 | 34017601 | KIT176 COMPLETE SEALS D.18 | 1 | |
| KIT169 | 34016901 | KIT 169 INTAKE/DEL.VALVE (66) | 1 | |
| 53 | 99180900 | SCREW M06X10 5931 A2-70 | 1 | |
| 52 | 96693950 | WASHER 6.4x11.0x0.7 D6798A INOX | 1 | |
| 51 | 98204300 | PLUG G1/4X10 | 3 | |
| 50 | 98226800 | PLUG G3/4X16 | 1 | |
| 49 | 96770000 | WASHER 26,5X32X1,5 | 1 | |
| 48 | 96738000 | WASHER 17,5X23X1,5 | 1 | |
| 47 | 90162500 | OIL SEAL 22x32x5 | 3 | |
| 46 | 90912600 | BUSHING 22X25X30 | 3 | |
| 45 | 99364400 | SCREW M 10x18-5931 | 4 | |
| 44 | 96710600 | WASHER 10,2 | 4 | |
| 43 | 47200074 | PUMP FOOT | 2 | |
| 42 | 90265500 | PACKING 18.0x28x10.0 HP 66 | 3 | |
| 41 | 66216370 | INTERMEDIATE RING D. 18 | 3 | |
| 40 | 90265200 | SEAL D.18X26X6,5 L.P. | 3 | |
| 39 | 90361600 | O-RING 34,65X1,78 (2137) | 3 | |
| 38 | 66080370 | PACKING RETAINER D.18 | 3 | |
| 37 | 98210000 | PLUG G3/8X13 | 1 | |
| 36 | 90164800 | OIL SEAL 30x55x7 | 1 | |
| 35 | 47151322 | SIDE CRANKCASE COVER (ATEX) | 1 | |
| 35 | 47151022 | OPEN SIDE COVER (47-66) | 1 | |
| 34 | 66219566 | PISTON BOLT | 3 | |
| 33 | 90358400 | O-RING D.10,82X1,78(2043)90SH3 | | |
| 32 | 66040309 | PISTON D.18X54 | 3 | |
| 31 | 96710100 | WASHER D. 10X28X0.5 | 3 | |
| 30 | 66050066 | PISTON GUIDE - S.S. | 3 | |
| 29 | 97740500 | CONNECTING ROD-PIN D.14X39 | 3 | |
| 28 | 99309900 | SCREW M 8x35 UNI 5931 | 6 | |
| 27 | 90358500 | O-RING 10,82X1,78 (2043) | 4 | |
| 26 | 98203600 | PLUG G1/4x8 FOR PROBE D.6 S.S. | 1 | |
| 25 | 99188400 | SCREW M 6x20 UNI 5931 | 4 | |
| 24 | 66160022 | REAR COVER | 1 | |

Illustration Male shaft (key) - vers. ATEX

| Pos. | Code | Description | Qty | Notes |
|------|----------|--|-----|-------|
| 23 | 90392200 | O-RING D.133.02X 2,62(3525) | 1 | |
| 22 | 66030001 | CONNECTING ROD | 3 | |
| 21 | 91489200 | KEY 8(h9)X7X35 UNI 6604/A | 1 | |
| 20 | 66020035 | CRANKSHAFT C.19 - D. 24 | 1 | |
| 19 | 98210700 | OIL DIPSTICK G3/8X64 D4+FILTER ATEX | 1 | |
| 18 | 66010022 | CRANKCASE | 1 | |
| 17 | 91838000 | ROLLER BEARING NJ2206EC | 2 | |
| 16 | 90075500 | STOP RING J45 UNI7437 | 1 | |
| 15 | 70211751 | | 1 | |
| 14 | 90387700 | O-RING 39,34X2,62 (3156) | 1 | |
| 13 | 90391300 | O-RING 67,95X2,62 (3268) | 2 | |
| 11 | 99303900 | SCREW M 8x16 UNI 5931 | 8 | |
| 10 | 36712701 | INTAKE/DEL.VALVE ASSY(66) | 6 | |
| 9 | 66130041 | VALVE CAP M32x1.5x29.5 | 6 | |
| 8 | 90516500 | ANTI-EXTR.RING D.24.7x29x1.5 | 6 | |
| 7 | 36203551 | VALVE CAGE | 6 | |
| 6 | 94738800 | SPRING Dm. 10x18.5 | 6 | |
| 5 | 36203476 | SPHERICAL VALVE | 6 | |
| 4 | 36203366 | VALVE SEAT | 6 | |
| 3 | 90385700 | O-RING 23,81X2,62 (132) | 12 | |
| 2 | 99380100 | SCREW M10X90 UNI 5931 8.8 | 8 | |
| 1 | 66124541 | PUMP MANIFOLD D.18 LP | 1 | |