



WG1570



TECHNICAL INFORMATION

Flow (L/min)	70
Flow (US Gpm)	18,50
Rotation regime (rpm)	1450
Pressure (MPa)	15
Pressure (bar)	150
Pressure (psi)	2175
Power (hp)	27
Power (kW)	19,85
Overall dimensions L x l x h (mm)	345x242,5x199,5
Weight (kg)	21,7



Documents

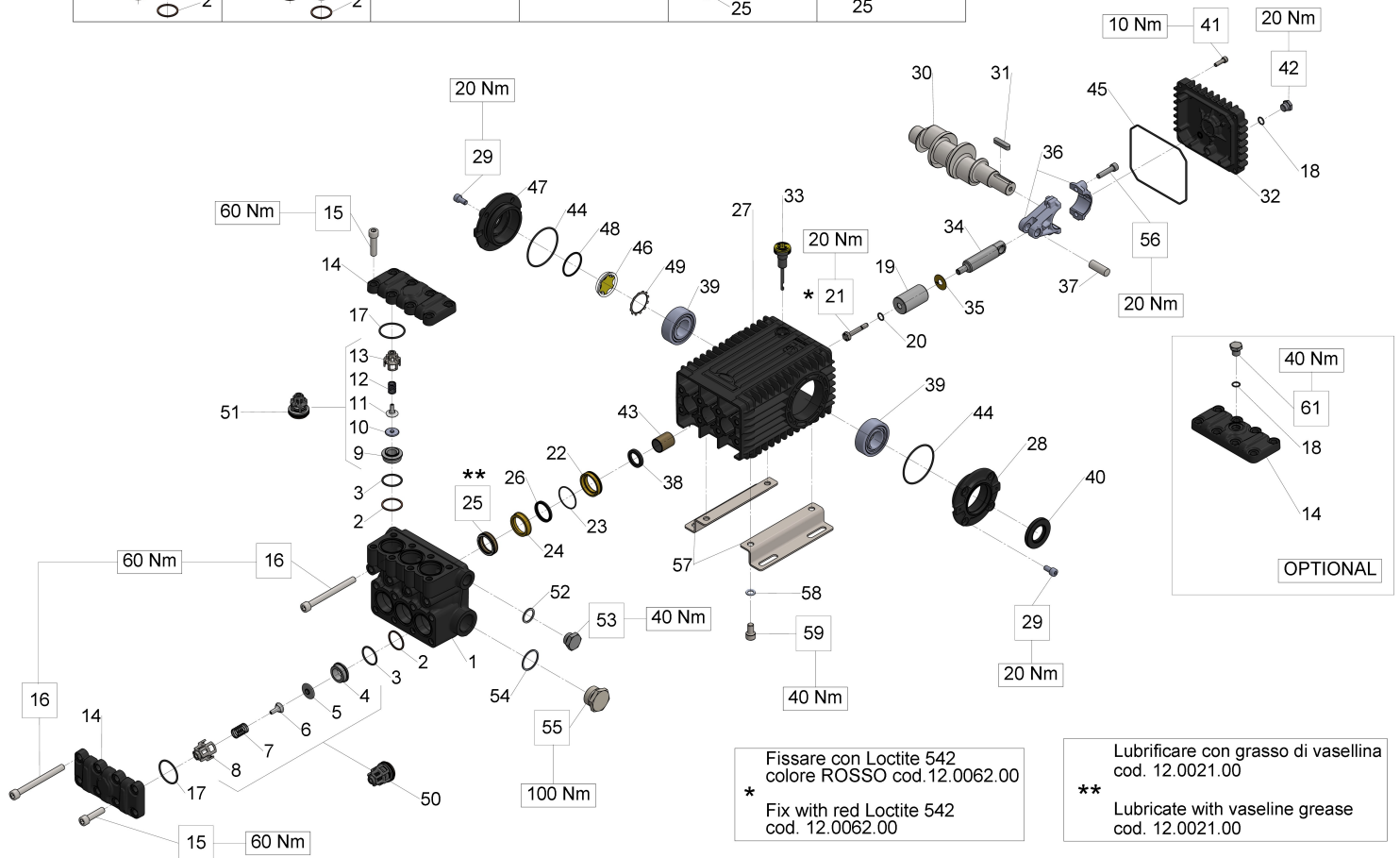
Male shaft (key)

Hollow shaft (key - 7/8") - predisposition for Hy-Pack

Hy-Pack version - GAS + gear motor 53cc

Illustration Male shaft (key)

KIT 2468	KIT 2001	KIT 2	KIT 3	KIT 420	KIT 419



Fissare con Loctite 542 colore ROSSO cod.12.0062.00
 * Fix with red Loctite 542 cod. 12.0062.00

Lubrificare con grasso di vasellina cod. 12.0021.00
 ** Lubricate with vaseline grease cod. 12.0021.00

Illustration Male shaft (key)

Pos.	Code	Description	Qty	Notes
KIT420	34042001		1	
KIT419	34041901		1	
KIT3	34000301	KIT 3 OIL SEAL D.30X55X7	1	
KIT2468	34246801		1	
KIT2001	34200101		1	
KIT2	34000201	KIT 2 OIL SEAL D. 22X32X5,5	1	
61	98204700		1	
59	99364400	SCREW M 10x18-5931	4	
58	96710600	WASHER 10,2	4	
57	47200074	PUMP FOOT	2	
56	99309900	SCREW M 8x35 UNI 5931	6	
55	98232600		1	
54	96787000		1	
53	98217900	PLUG G 1/2X10 NICKEL	1	
52	96751400	WASHER 21,5X27X1,5	1	
51	36713401		3	
50	36727701		3	
49	90075600	CIRCLIP D.45 (ZJ45)	1	
48	90387700	O-RING 39,34X2,62 (3156)	1	
47	47151222	SIDE CRANKCASE COVER FOR OIL GAUGE	1	
46	70211801	OIL SIGHT GLASS	1	
45	90392200	O-RING D.133.02X 2,62(3525)	1	
44	90391300	O-RING 67,95X2,62 (3268)	2	
43	90912600	BUSHING 22X25X30	3	
42	98204250	PLUG G1/4"x12	1	
41	99188400	SCREW M 6x20 UNI 5931	4	
40	90164800	OIL SEAL 30x55x7	1	
39	91838000	ROLLER BEARING NJ2206EC	2	
38	90162500	OIL SEAL 22x32x5	3	
37	97740500	CONNECTING ROD-PIN D.14X39	3	
36	66030001	CONNECTING ROD	3	
35	96710100	WASHER D. 10X28X0.5	3	
34	66050066	PISTON GUIDE - S.S.	3	
33	98210600	OIL DIP-STICK G3/8X80	1	
32	66160022	REAR COVER	1	
31	91489200	KEY 8(h9)X7X35 UNI 6604/A	1	
30	66020435	CRANKSHAFT C.21 - D. 24	1	
29	99303900	SCREW M 8x16 UNI 5931	8	

Illustration Male shaft (key)

Pos.	Code	Description	Qty	Notes
28	47151022	OPEN SIDE COVER (47-66)	1	
27	66010022	CRANKCASE	1	
26	90277900		3	
25	90277980		3	
24	66221270		3	
23	90362000	O-RING D.37.82X1.78 (2150)	3	
22	66083070		3	
21	66219566	PISTON BOLT	3	
20	90358400	O-RING D.10,82X1,78(2043)90SH3		
19	66041109		3	
18	90358500	O-RING 10,82X1,78 (2043)	2	
17	90387800		6	
16	99381700		8	
15	99371200		12	
14	66221415		2	
14	66221515		1	
13	36213805		3	
12	94740100		3	
11	36210151		3	
10	36209966		3	
9	36203866		3	
8	36216005		3	
7	94744700		3	
6	36216151		3	
5	36216266		3	
4	36204866	VALVE SEAT (70HT)	3	
3	90386500	O-RING 29,82X2,62 (3118)	6	
2	90517800		6	
1	66125615		1	

Illustration Hollow shaft (key - 7/8") - predisposition for Hy-Pack

KIT 2468	KIT 2001	KIT 2	KIT 3	KIT 420	KIT 419

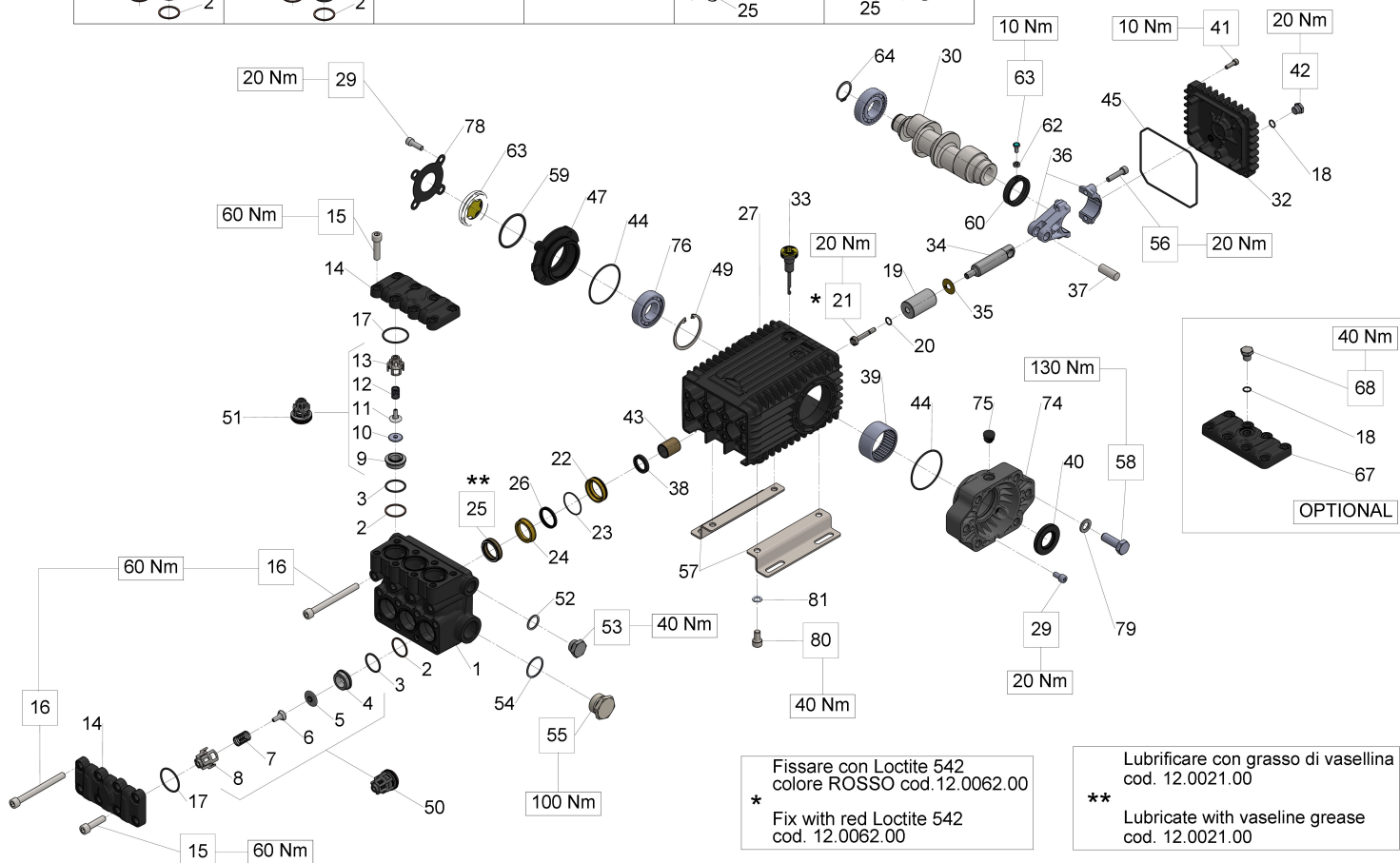


Illustration Hollow shaft (key - 7/8") - predisposition for Hy-Pack

Pos.	Code	Description	Qty	Notes
KIT420	34042001		1	
KIT419	34041901		1	
KIT3	34000301	KIT 3 OIL SEAL D.30X55X7	1	
KIT2468	34246801		1	
KIT2001	34200101		1	
KIT2	34000201	KIT 2 OIL SEAL D. 22X32X5,5	1	
81	96710600	WASHER 10,2	4	
80	99364400	SCREW M 10x18-5931	4	
79	96728200	WASHER 15.0x24.0x2.5 U1749	2	
78	66150274	SIDE COVER	1	
76	91837600	ROLLER BEARING NUP206ECP	1	
75	90206500	PLUG FOR BORE D.17 - TTN19	1	
74	10087222		1	
68	98204700		1	
67	66221515		1	
64	90066700	CIRCLIP D. 30 UNI 7435	1	
63	70227034	VITE M6X12 CON INCAVO COMPLETA	1	
63	44211801	SPACER+OIL LEVEL GAUGE	1	
62	92202500	NUT M6 UNI 5588 6S	1	
60	71228971	ANELLO PER ALBERO D.40 H.PACK	1	
59	90409700	O-RING 55,56X3,53 (159)	1	
58	99484800	SCREW M14x40 5739 8.8 ZINC 871034154	2	
57	47200074	PUMP FOOT	2	
56	99309900	SCREW M 8x35 UNI 5931	6	
55	98232600		1	
54	96787000		1	
53	98217900	PLUG G 1/2X10 NICKEL	1	
52	96751400	WASHER 21,5X27X1,5	1	
51	36713401		3	
50	36727701		3	
49	90085000	CIRCLIP D. 62 UNI 7437	1	
47	59150022	SIDE CRANKCASE COVER	1	
45	90392200	O-RING D.133.02X 2,62(3525)	1	
44	90391300	O-RING 67,95X2,62 (3268)	2	
43	90912600	BUSHING 22X25X30	3	
42	98204250	PLUG G1/4"x12	1	

Illustration Hollow shaft (key - 7/8") - predisposition for Hy-Pack

Pos.	Code	Description	Qty	Notes
41	99188400	SCREW M 6x20 UNI 5931	4	
40	90164800	OIL SEAL 30x55x7	1	
39	91858700		1	
38	90162500	OIL SEAL 22x32x5	3	
37	97740500	CONNECTING ROD-PIN D.14X39	3	
36	66030001	CONNECTING ROD	3	
35	96710100	WASHER D. 10X28X0.5	3	
34	66050066	PISTON GUIDE - S.S.	3	
33	98210600	OIL DIP-STICK G3/8X80	1	
32	66160022	REAR COVER	1	
30	66021365		1	
29	99306900	SCREW M 8x25 UNI 5931	4	
29	99303900	SCREW M 8x16 UNI 5931	4	
27	66010022	CRANKCASE	1	
26	90277900		3	
25	90277980		3	
24	66221270		3	
23	90362000	O-RING D.37.82X1.78 (2150)	3	
22	66083070		3	
21	66219566	PISTON BOLT	3	
20	90358400	O-RING D.10,82X1,78(2043)90SH3		
19	66041109		3	
18	90358500	O-RING 10,82X1,78 (2043)	2	
17	90387800		6	
16	99381700		8	
15	99371200		12	
14	66221415		2	
13	36213805		3	
12	94740100		3	
11	36210151		3	
10	36209966		3	
9	36203866		3	
8	36216005		3	
7	94744700		3	
6	36216151		3	
5	36216266		3	
4	36204866	VALVE SEAT (70HT)	3	
3	90386500	O-RING 29,82X2,62 (3118)	6	
2	90517800		6	

Illustration Hollow shaft (key - 7/8") - predisposition for Hy-Pack

Pos.	Code	Description	Qty	Notes
1	66125615		1	

Illustration Hy-Pack version - GAS + gear motor 53cc

KIT 2468	KIT 2001	KIT 2	KIT 3	KIT 420	KIT 419

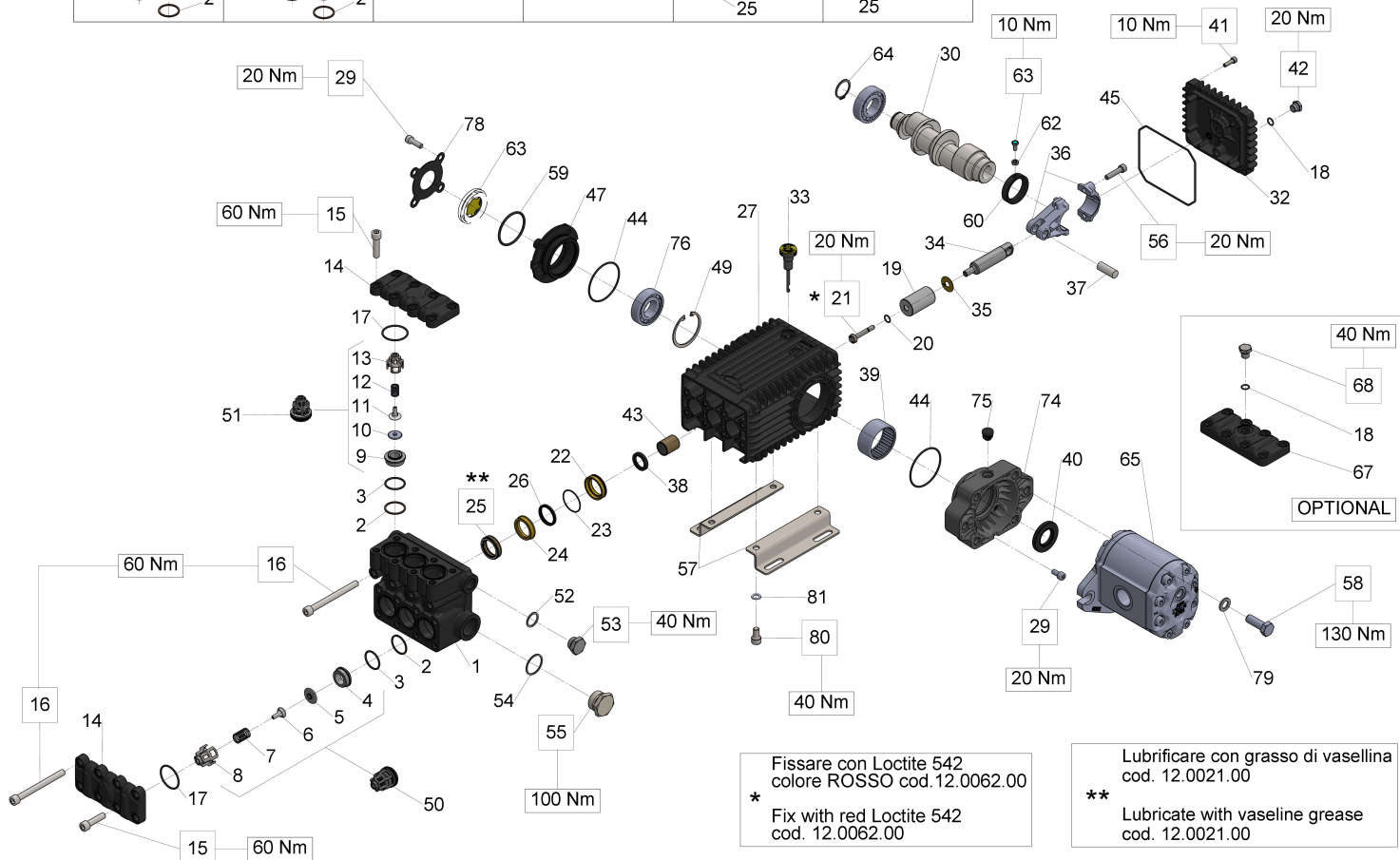


Illustration Hy-Pack version - GAS + gear motor 53cc

Pos.	Code	Description	Qty	Notes
KIT420	34042001		1	
KIT419	34041901		1	
KIT3	34000301	KIT 3 OIL SEAL D.30X55X7	1	
KIT2468	34246801		1	
KIT2001	34200101		1	
KIT2	34000201	KIT 2 OIL SEAL D. 22X32X5,5	1	
81	96710600	WASHER 10,2	4	
80	99364400	SCREW M 10x18-5931	4	
79	96728200	WASHER 15.0x24.0x2.5 U1749	2	
78	66150274	SIDE COVER	1	
76	91837600	ROLLER BEARING NUP206ECP	1	
75	90206500	PLUG FOR BORE D.17 - TTN19	1	
74	10087222		1	
68	98204700		1	
67	66221515		1	
65	95115820	MOTORE INGR. 053R / S-B CIL / 1 G	1	
64	90066700	CIRCLIP D. 30 UNI 7435	1	
63	70227034	VITE M6X12 CON INCAVO COMPLETA	1	
63	44211801	SPACER+OIL LEVEL GAUGE	1	
62	92202500	NUT M6 UNI 5588 6S	1	
60	71228971	ANELLO PER ALBERO D.40 H.PACK	1	
59	90409700	O-RING 55,56X3,53 (159)	1	
58	99484800	SCREW M14x40 5739 8.8 ZINC 871034154	2	
57	47200074	PUMP FOOT	2	
56	99309900	SCREW M 8x35 UNI 5931	6	
55	98232600		1	
54	96787000		1	
53	98217900	PLUG G 1/2X10 NICKEL	1	
52	96751400	WASHER 21,5X27X1,5	1	
51	36713401		3	
50	36727701		3	
49	90085000	CIRCLIP D. 62 UNI 7437	1	
47	59150022	SIDE CRANKCASE COVER	1	
45	90392200	O-RING D.133.02X 2,62(3525)	1	
44	90391300	O-RING 67,95X2,62 (3268)	2	
43	90912600	BUSHING 22X25X30	3	

Illustration Hy-Pack version - GAS + gear motor 53cc

Pos.	Code	Description	Qty	Notes
42	98204250	PLUG G1/4"x12	1	
41	99188400	SCREW M 6x20 UNI 5931	4	
40	90164800	OIL SEAL 30x55x7	1	
39	91858700		1	
38	90162500	OIL SEAL 22x32x5	3	
37	97740500	CONNECTING ROD-PIN D.14X39	3	
36	66030001	CONNECTING ROD	3	
35	96710100	WASHER D. 10X28X0.5	3	
34	66050066	PISTON GUIDE - S.S.	3	
33	98210600	OIL DIP-STICK G3/8X80	1	
32	66160022	REAR COVER	1	
30	66021365		1	
29	99306900	SCREW M 8x25 UNI 5931	4	
29	99303900	SCREW M 8x16 UNI 5931	4	
27	66010022	CRANKCASE	1	
26	90277900		3	
25	90277980		3	
24	66221270		3	
23	90362000	O-RING D.37.82X1.78 (2150)	3	
22	66083070		3	
21	66219566	PISTON BOLT	3	
20	90358400	O-RING D.10,82X1,78(2043)90SH3		
19	66041109		3	
18	90358500	O-RING 10,82X1,78 (2043)	2	
17	90387800		6	
16	99381700		8	
15	99371200		12	
14	66221415		2	
13	36213805		3	
12	94740100		3	
11	36210151		3	
10	36209966		3	
9	36203866		3	
8	36216005		3	
7	94744700		3	
6	36216151		3	
5	36216266		3	
4	36204866	VALVE SEAT (70HT)	3	
3	90386500	O-RING 29,82X2,62 (3118)	6	

Illustration Hy-Pack version - GAS + gear motor 53cc

Pos.	Code	Description	Qty	Notes
2	90517800		6	
1	66125615		1	