



W5015



TECHNICAL INFORMATION

Flow (L/min)	15
Flow (US Gpm)	3,96
Rotation regime (rpm)	1450
Pressure (MPa)	50
Pressure (bar)	500
Pressure (psi)	7250
Power (hp)	20
Power (kW)	14,70
Overall dimensions L x l x h (mm)	351,5x242,5x195,5
Weight (kg)	19,5



Documents

Male shaft (key)

Double male shaft (key)

Male shaft (key) - vers. ATEX

Illustration Male shaft (key)

KIT 150	KIT 2	KIT 3	KIT 175	KIT 174

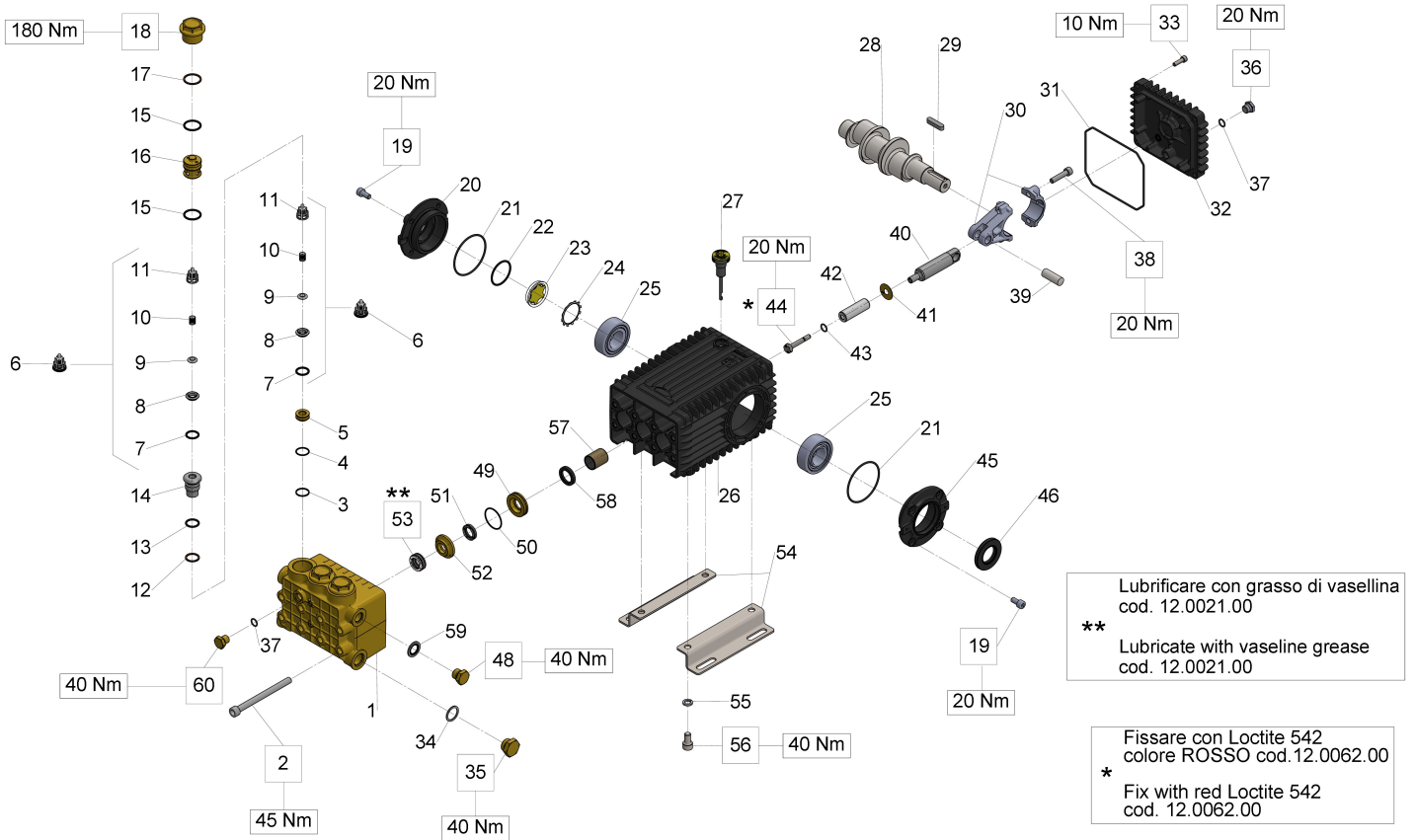


Illustration Male shaft (key)

Pos.	Code	Description	Qty	Notes
KIT3	34000301	KIT 3 OIL SEAL D.30X55X7	1	
KIT2	34000201	KIT 2 OIL SEAL D. 22X32X5,5	1	
KIT175	34017501		1	
KIT174	34017401		1	
KIT150	34015001	KIT 150 INTAKE/DEL.VALVE	1	
60	98204300	PLUG G1/4X10	1	
59	93185800		1	
58	90162500	OIL SEAL 22x32x5	3	
57	90912600	BUSHING 22X25X30	3	
56	99364400	SCREW M 10x18-5931	4	
55	96710600	WASHER 10,2	4	
54	47200074	PUMP FOOT	2	
53	90263400		3	
52	66216270		3	
51	90263100		3	
50	90361600	O-RING 34,65X1,78 (2137)	3	
49	66080270		3	
48	98210000	PLUG G3/8X13	1	
46	90164800	OIL SEAL 30x55x7	1	
45	47151022	OPEN SIDE COVER (47-66)	1	
44	66219566	PISTON BOLT	3	
43	90358400	O-RING D.10,82X1,78(2043)90SH3		
42	66040209		3	
41	96710100	WASHER D. 10X28X0.5	3	
40	66050066	PISTON GUIDE - S.S.	3	
39	97740500	CONNECTING ROD-PIN D.14X39	3	
38	99309900	SCREW M 8x35 UNI 5931	6	
37	90358500	O-RING 10,82X1,78 (2043)	2	
36	98204250	PLUG G1/4"x12	1	
35	98217600	PLUG G1/2X10	1	
34	96751400	WASHER 21,5X27X1,5	1	
33	99188400	SCREW M 6x20 UNI 5931	4	
32	66160022	REAR COVER	1	
31	90392200	O-RING D.133.02X 2,62(3525)	1	
30	66030001	CONNECTING ROD	3	
29	91489200	KEY 8(h9)X7X35 UNI 6604/A	1	
28	66020035	CRANKSHAFT C.19 - D. 24	1	
27	98210600	OIL DIP-STICK G3/8X80	1	

Illustration Male shaft (key)

Pos.	Code	Description	Qty	Notes
26	66010022	CRANKCASE	1	
25	91838000	ROLLER BEARING NJ2206EC	2	
24	90075600	CIRCLIP D.45 (Z145)	1	
23	70211801	OIL SIGHT GLASS	1	
22	90387700	O-RING 39,34X2,62 (3156)	1	
21	90391300	O-RING 67,95X2,62 (3268)	2	
20	47151222	SIDE CRANKCASE COVER FOR OIL GAUGE	1	
19	99303900	SCREW M 8x16 UNI 5931	8	
18	66130141		3	
17	90516500	ANTI-EXTR.RING D.24.7x29x1.5	3	
16	66210070		3	
15	90385700	O-RING 23,81X2,62 (132)	6	
14	66210166		3	
13	90384300	O-RING 17,86X2,62 (123)	3	
12	90511500	ANTI-EXTRUSION RING	3	
11	36202551	VALVE CAGE	6	
10	94737600	SPRING D. 9,4X14,8	6	
9	36203266	SPHERICAL VALVE	6	
8	36200366	VALVE SEAT	6	
7	90384100	O-RING 17,12X2,62 (3068)	6	
6	36712101	INTAKE/DELIVERY VALVE	6	
5	66210270		3	
4	90359600		3	
3	90511800		3	
2	99382000		8	
1	66124041		1	

Illustration Double male shaft (key)

Pos.	Code	Description	Qty	Notes
KIT3	34000301	KIT 3 OIL SEAL D.30X55X7	1	
KIT2	34000201	KIT 2 OIL SEAL D. 22X32X5,5	1	
KIT175	34017501		1	
KIT174	34017401		1	
KIT150	34015001	KIT 150 INTAKE/DEL.VALVE	1	
60	98204300	PLUG G1/4X10	1	
59	93185800		1	
58	90162500	OIL SEAL 22x32x5	3	
57	90912600	BUSHING 22X25X30	3	
56	99364400	SCREW M 10x18-5931	4	
55	96710600	WASHER 10,2	4	
54	47200074	PUMP FOOT	2	
53	90263400		3	
52	66216270		3	
51	90263100		3	
50	90361600	O-RING 34,65X1,78 (2137)	3	
49	66080270		3	
48	98210000	PLUG G3/8X13	1	
46	90164800	OIL SEAL 30x55x7	2	
45	47151022	OPEN SIDE COVER (47-66)	2	
44	66219566	PISTON BOLT	3	
43	90358400	O-RING D.10,82X1,78(2043)90SH3		
42	66040209		3	
41	96710100	WASHER D. 10X28X0.5	3	
40	66050066	PISTON GUIDE - S.S.	3	
39	97740500	CONNECTING ROD-PIN D.14X39	3	
38	99309900	SCREW M 8x35 UNI 5931	6	
37	90358500	O-RING 10,82X1,78 (2043)	2	
36	98204250	PLUG G1/4"x12	1	
35	98217600	PLUG G1/2X10	1	
34	96751400	WASHER 21,5X27X1,5	1	
33	99188400	SCREW M 6x20 UNI 5931	4	
32	66160022	REAR COVER	1	
31	90392200	O-RING D.133.02X 2,62(3525)	1	
30	66030001	CONNECTING ROD	3	
29	91489200	KEY 8(h9)X7X35 UNI 6604/A	2	
28	66021035	CRANKSHAFT C.19 - DUAL PTO	1	

Illustration Double male shaft (key)

Pos.	Code	Description	Qty	Notes
27	98210600	OIL DIP-STICK G3/8X80	1	
26	66010022	CRANKCASE	1	
25	91838000	ROLLER BEARING NJ2206EC	2	
21	90391300	O-RING 67,95X2,62 (3268)	2	
19	99303900	SCREW M 8x16 UNI 5931	8	
18	66130141		3	
17	90516500	ANTI-EXTR.RING D.24.7x29x1.5	3	
16	66210070		3	
15	90385700	O-RING 23,81X2,62 (132)	6	
14	66210166		3	
13	90384300	O-RING 17,86X2,62 (123)	3	
12	90511500	ANTI-EXTRUSION RING	3	
11	36202551	VALVE CAGE	6	
10	94737600	SPRING D. 9,4X14,8	6	
9	36203266	SPHERICAL VALVE	6	
8	36200366	VALVE SEAT	6	
7	90384100	O-RING 17,12X2,62 (3068)	6	
6	36712101	INTAKE/DELIVERY VALVE	6	
5	66210270		3	
4	90359600		3	
3	90511800		3	
2	99382000		8	
1	66124041		1	

Illustration Male shaft (key) - vers. ATEX

KIT 150	KIT 2	KIT 3	KIT 175	KIT 174

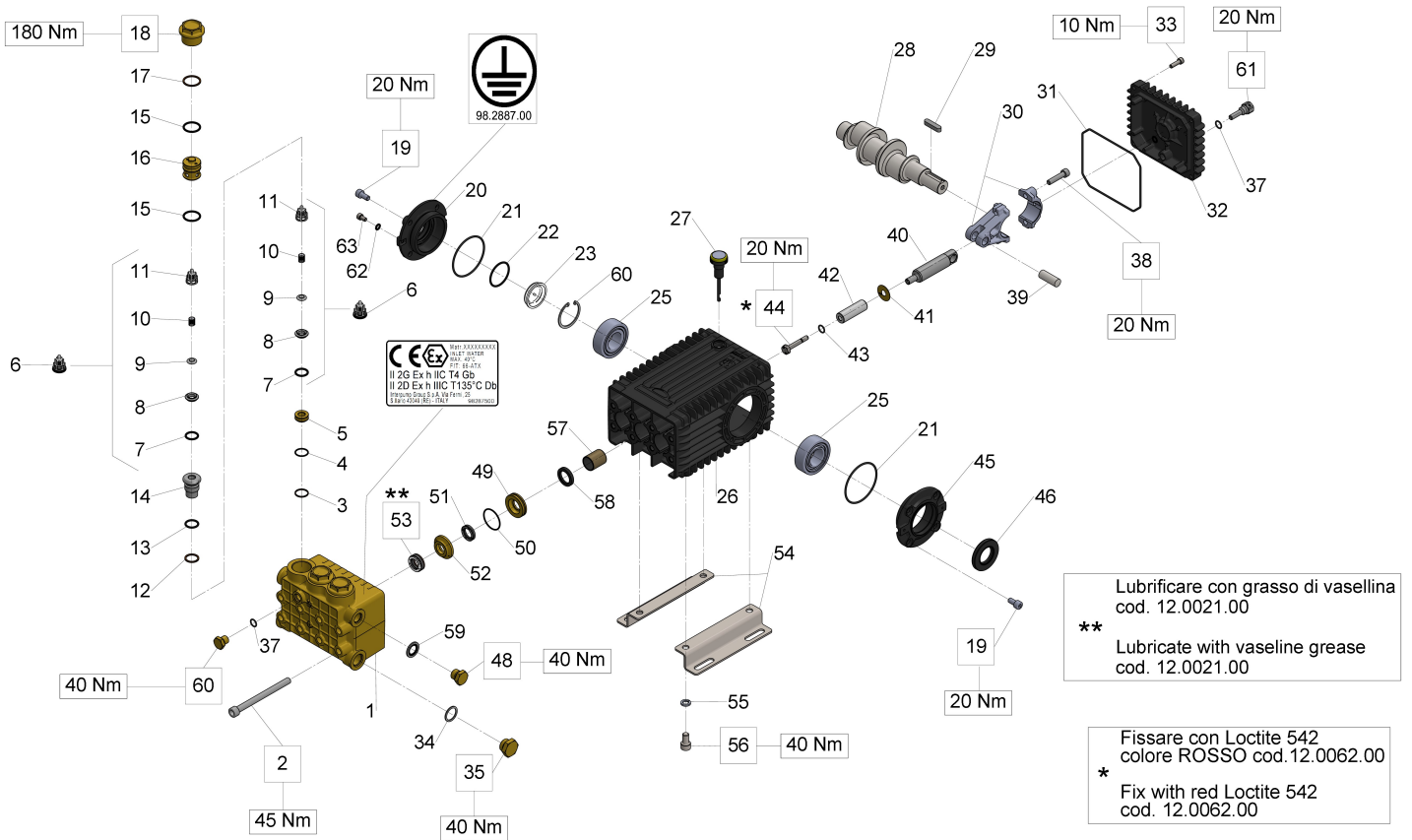


Illustration Male shaft (key) - vers. ATEX

Pos.	Code	Description	Qty	Notes
KIT3	34000301	KIT 3 OIL SEAL D.30X55X7	1	
KIT2	34000201	KIT 2 OIL SEAL D. 22X32X5,5	1	
KIT175	34017501		1	
KIT174	34017401		1	
KIT150	34015001	KIT 150 INTAKE/DEL.VALVE	1	
63	99180900	SCREW M06X10 5931 A2-70	1	
62	96693950	WASHER 6.4x11.0x0.7 D6798A INOX	1	
61	98203600	PLUG G1/4x8 FOR PROBE D.6 S.S.	1	
60	90075500	STOP RING J45 UNI7437	1	
60	98204300	PLUG G1/4X10	1	
59	93185800		1	
58	90162500	OIL SEAL 22x32x5	3	
57	90912600	BUSHING 22X25X30	3	
56	99364400	SCREW M 10x18-5931	4	
55	96710600	WASHER 10,2	4	
54	47200074	PUMP FOOT	2	
53	90263400		3	
52	66216270		3	
51	90263100		3	
50	90361600	O-RING 34,65X1,78 (2137)	3	
49	66080270		3	
48	98210000	PLUG G3/8X13	1	
46	90164800	OIL SEAL 30x55x7	1	
45	47151022	OPEN SIDE COVER (47-66)	1	
44	66219566	PISTON BOLT	3	
43	90358400	O-RING D.10,82X1,78(2043)90SH3		
42	66040209		3	
41	96710100	WASHER D. 10X28X0.5	3	
40	66050066	PISTON GUIDE - S.S.	3	
39	97740500	CONNECTING ROD-PIN D.14X39	3	
38	99309900	SCREW M 8x35 UNI 5931	6	
37	90358500	O-RING 10,82X1,78 (2043)	2	
35	98217600	PLUG G1/2X10	1	
34	96751400	WASHER 21,5X27X1,5	1	
33	99188400	SCREW M 6x20 UNI 5931	4	
32	66160022	REAR COVER	1	
31	90392200	O-RING D.133.02X 2,62(3525)	1	

Illustration Male shaft (key) - vers. ATEX

Pos.	Code	Description	Qty	Notes
30	66030001	CONNECTING ROD	3	
29	91489200	KEY 8(h9)X7X35 UNI 6604/A	1	
28	66020035	CRANKSHAFT C.19 - D. 24	1	
27	98210700	OIL DIPSTICK G3/8X64 D4+FILTER ATEX	1	
26	66010022	CRANKCASE	1	
25	91838000	ROLLER BEARING NJ2206EC	2	
23	70211751		1	
22	90387700	O-RING 39,34X2,62 (3156)	1	
21	90391300	O-RING 67,95X2,62 (3268)	2	
20	47151322	SIDE CRANKCASE COVER (ATEX)	1	
19	99303900	SCREW M 8x16 UNI 5931	8	
18	66130141		3	
17	90516500	ANTI-EXTR.RING D.24.7x29x1.5	3	
16	66210070		3	
15	90385700	O-RING 23,81X2,62 (132)	6	
14	66210166		3	
13	90384300	O-RING 17,86X2,62 (123)	3	
12	90511500	ANTI-EXTRUSION RING	3	
11	36202551	VALVE CAGE	6	
10	94737600	SPRING D. 9,4X14,8	6	
9	36203266	SPHERICAL VALVE	6	
8	36200366	VALVE SEAT	6	
7	90384100	O-RING 17,12X2,62 (3068)	6	
6	36712101	INTAKE/DELIVERY VALVE	6	
5	66210270		3	
4	90359600		3	
3	90511800		3	
2	99382000		8	
1	66124041		1	