



## VHT6650



### TECHNICAL INFORMATION

Flow (L/min)	50
Flow (US Gpm)	13,20
Rotation regime (rpm)	1450
Pressure (MPa)	15
Pressure (bar)	150
Pressure (psi)	2175
Power (hp)	20
Power (kW)	14,70
Overall dimensions L x l x h (mm)	340,5x242,5x177,5
Weight (kg)	18,5



## Documents

Male shaft (key)

---

Double male shaft (key)

---

Male shaft (key) - vers. ATEX

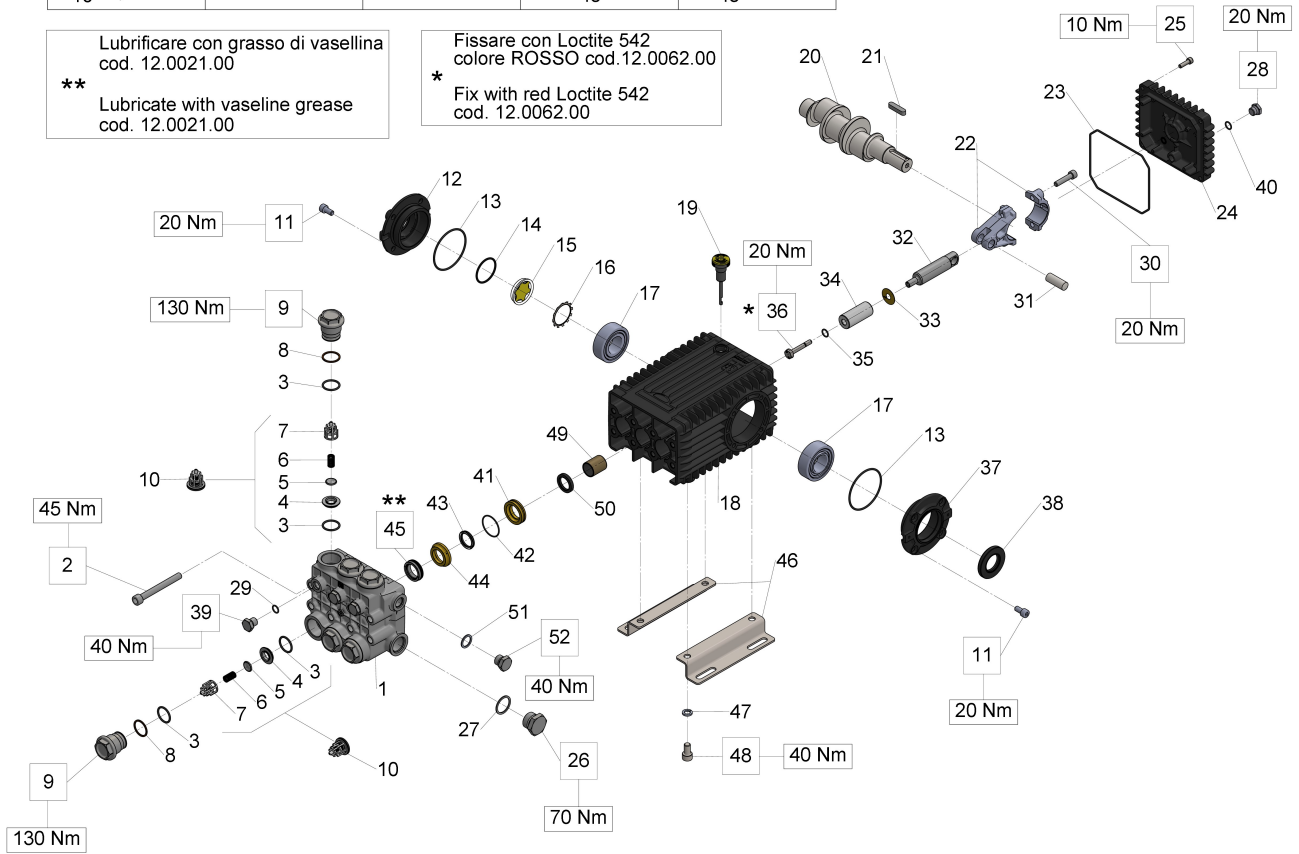
---

# Illustration Male shaft (key)

KIT 375	KIT 2	KIT 3	KIT 408	KIT 390

Lubrificare con grasso di vasellina  
cod. 12.0021.00  
\*\*  
Lubricate with vaseline grease  
cod. 12.0021.00

Fissare con Loctite 542  
colore ROSSO cod.12.0062.00  
\*  
Fix with red Loctite 542  
cod. 12.0062.00



## Illustration Male shaft (key)

Pos.	Code	Description	Qty	Notes
KIT408	34040801		1	
KIT390	34039001		1	
KIT3	34000301	KIT 3 OIL SEAL D.30X55X7	1	
KIT2	34000201	KIT 2 OIL SEAL D. 22X32X5,5	1	
KIT375	34037501		1	
52	98209900	PLUG G. 3/8X13 NICKEL	1	
51	96738000	WASHER 17,5X23X1,5	1	
50	90162500	OIL SEAL 22x32x5	3	
49	90912600	BUSHING 22X25X30	3	
48	99364400	SCREW M 10x18-5931	4	
47	96710600	WASHER 10,2	4	
46	47200074	PUMP FOOT	2	
45	90275450		3	
44	66220070	INTERMEDIATE RING D.28	3	
43	90238100		3	
42	90362050		3	
41	66082970		3	
40	90358500	O-RING 10,82X1,78 (2043)	1	
39	98204700		3	
38	90164800	OIL SEAL 30x55x7	1	
37	47151022	OPEN SIDE COVER (47-66)	1	
36	66219566	PISTON BOLT	3	
35	90358450		3	
34	66041009	PISTON D.28X54	3	
33	96710100	WASHER D. 10X28X0.5	3	
32	66050066	PISTON GUIDE - S.S.	3	
31	97740500	CONNECTING ROD-PIN D.14X39	3	
30	99309900	SCREW M 8x35 UNI 5931	6	
29	90358550	O-RING D.10.82x1.78 HNBR 70SH 2043	3	
28	98204250	PLUG G1/4"x12	1	
27	96770000	WASHER 26,5X32X1,5	1	
26	98226900		1	
25	99188400	SCREW M 6x20 UNI 5931	4	
24	66160022	REAR COVER	1	
23	90392200	O-RING D.133.02X 2,62(3525)	1	
22	66030001	CONNECTING ROD	3	
21	91489200	KEY 8(h9)X7X35 UNI 6604/A	1	
20	66020035	CRANKSHAFT C.19 - D. 24	1	

## Illustration Male shaft (key)

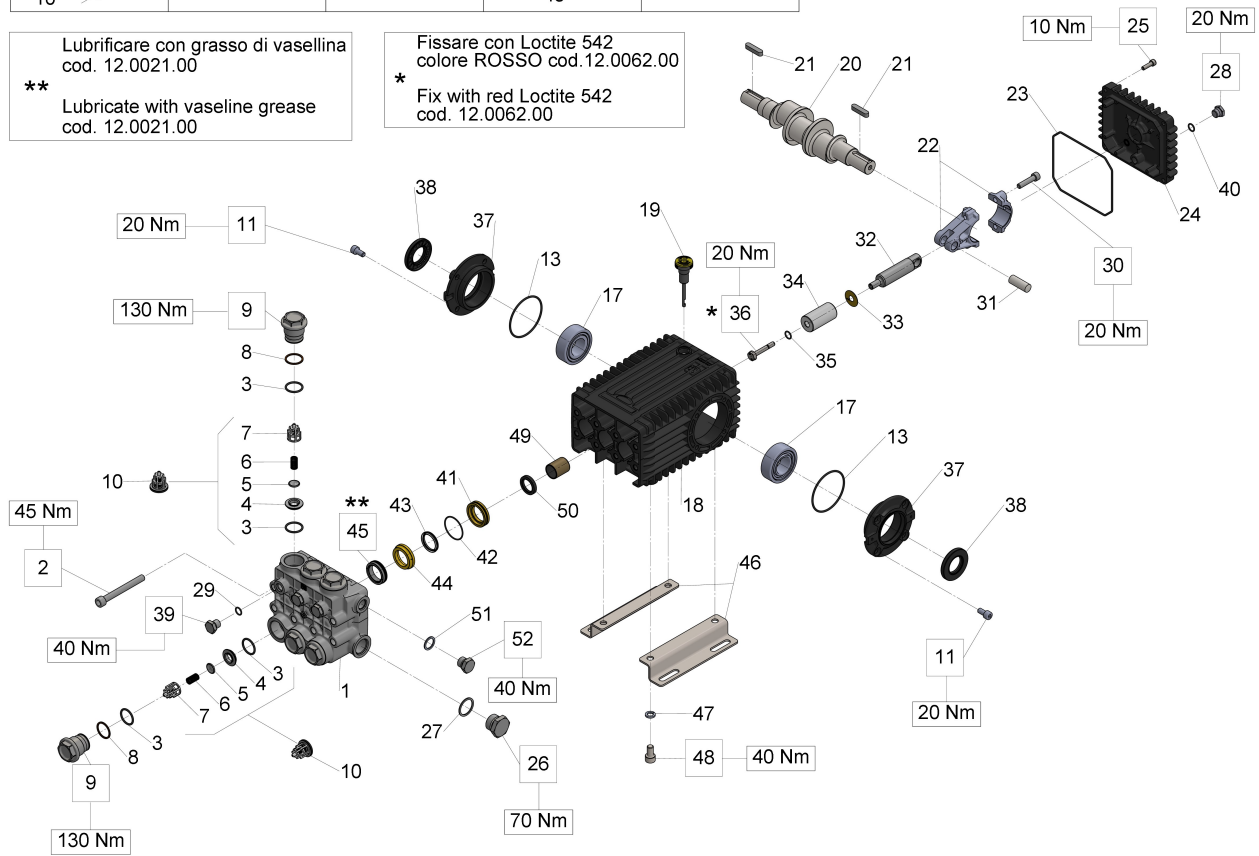
Pos.	Code	Description	Qty	Notes
19	98210600	OIL DIP-STICK G3/8X80	1	
18	66010022	CRANKCASE	1	
17	91838000	ROLLER BEARING NJ2206EC	2	
16	90075600	CIRCLIP D.45 (ZJ45)	1	
15	70211801	OIL SIGHT GLASS	1	
14	90387700	O-RING 39,34X2,62 (3156)	1	
13	90391300	O-RING 67,95X2,62 (3268)	2	
12	47151222	SIDE CRANKCASE COVER FOR OIL GAUGE	1	
11	99303900	SCREW M 8x16 UNI 5931	8	
10	36726301		6	
9	66130341		6	
8	90516500	ANTI-EXTR.RING D.24.7x29x1.5	6	
7	36203551	VALVE CAGE	6	
6	94738800	SPRING Dm. 10x18.5	6	
5	36203476	SPHERICAL VALVE	6	
4	36203366	VALVE SEAT	6	
3	90385750		12	
2	99380100	SCREW M10X90 UNI 5931 8.8	8	
1	66125441		1	

# Illustration Double male shaft (key)

KIT 375	KIT 2	KIT 3	KIT 408	KIT 390

\*\* Lubrificare con grasso di vasellina cod. 12.0021.00  
 \*\* Lubricate with vaseline grease cod. 12.0021.00

\* Fissare con Loctite 542 colore ROSSO cod.12.0062.00  
 \* Fix with red Loctite 542 cod. 12.0062.00



## Illustration Double male shaft (key)

Pos.	Code	Description	Qty	Notes
KIT3	34000301	KIT 3 OIL SEAL D.30X55X7	1	
KIT2	34000201	KIT 2 OIL SEAL D. 22X32X5,5	1	
KIT408	34040801		1	
KIT390	34039001		1	
KIT375	34037501		1	
52	98209900	PLUG G. 3/8X13 NICKEL	1	
51	96738000	WASHER 17,5X23X1,5	1	
50	90162500	OIL SEAL 22x32x5	3	
49	90912600	BUSHING 22X25X30	3	
48	99364400	SCREW M 10x18-5931	4	
47	96710600	WASHER 10,2	4	
46	47200074	PUMP FOOT	2	
45	90275450		3	
44	66220070	INTERMEDIATE RING D.28	3	
43	90238100		3	
42	90362050		3	
41	66082970		3	
40	90358500	O-RING 10,82X1,78 (2043)	1	
39	98204700		3	
38	90164800	OIL SEAL 30x55x7	2	
37	47151022	OPEN SIDE COVER (47-66)	2	
36	66219566	PISTON BOLT	3	
35	90358450		3	
34	66041009	PISTON D.28X54	3	
33	96710100	WASHER D. 10X28X0.5	3	
32	66050066	PISTON GUIDE - S.S.	3	
31	97740500	CONNECTING ROD-PIN D.14X39	3	
30	99309900	SCREW M 8x35 UNI 5931	6	
29	90358550	O-RING D.10.82x1.78 HNBR 70SH 2043	3	
28	98204250	PLUG G1/4"x12	1	
27	96770000	WASHER 26,5X32X1,5	1	
26	98226900		1	
25	99188400	SCREW M 6x20 UNI 5931	4	
24	66160022	REAR COVER	1	
23	90392200	O-RING D.133.02X 2,62(3525)	1	
22	66030001	CONNECTING ROD	3	
21	91489200	KEY 8(h9)X7X35 UNI 6604/A	2	
20	66021035	CRANKSHAFT C.19 - DUAL PTO	1	

## Illustration Double male shaft (key)

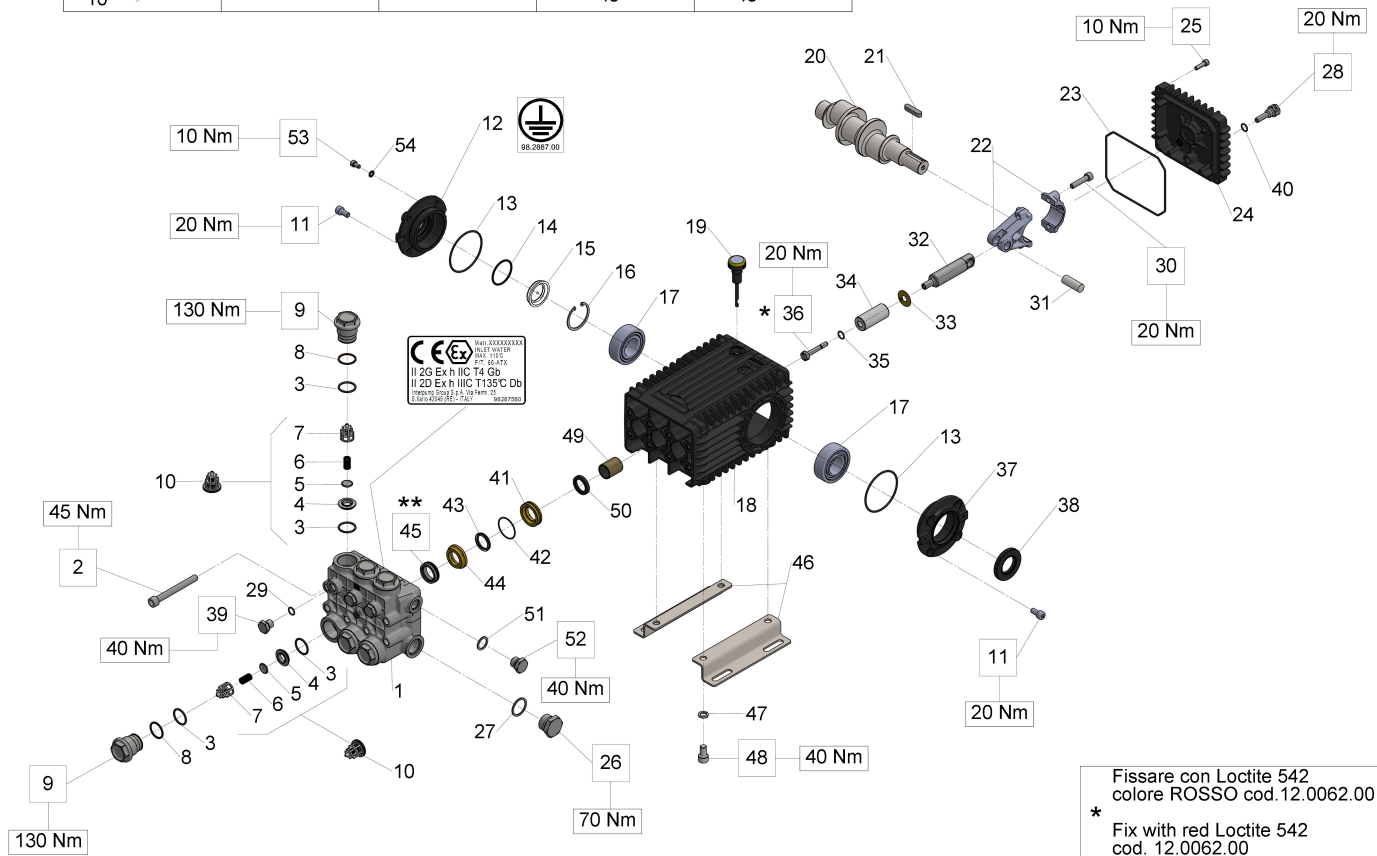
---

Pos.	Code	Description	Qty	Notes
20	66020035	CRANKSHAFT C.19 - D. 24	1	
19	98210600	OIL DIP-STICK G3/8X80	1	
18	66010022	CRANKCASE	1	
17	91838000	ROLLER BEARING NJ2206EC	2	
13	90391300	O-RING 67,95X2,62 (3268)	2	
11	99303900	SCREW M 8x16 UNI 5931	8	
10	36726301		6	
9	66130341		6	
8	90516500	ANTI-EXTR.RING D.24.7x29x1.5	6	
7	36203551	VALVE CAGE	6	
6	94738800	SPRING Dm. 10x18.5	6	
5	36203476	SPHERICAL VALVE	6	
4	36203366	VALVE SEAT	6	
3	90385750		12	
2	99380100	SCREW M10X90 UNI 5931 8.8	8	
1	66125441		1	

# Illustration Male shaft (key) - vers. ATEX

KIT 375	KIT 2	KIT 3	KIT 408	KIT 390

Lubrificare con grasso di vasellina  
cod. 12.0021.00  
\*\*  
Lubricate with vaseline grease  
cod. 12.0021.00



## Illustration Male shaft (key) - vers. ATEX

Pos.	Code	Description	Qty	Notes
KIT408	34040801		1	
KIT390	34039001		1	
KIT3	34000301	KIT 3 OIL SEAL D.30X55X7	1	
KIT2	34000201	KIT 2 OIL SEAL D. 22X32X5,5	1	
KIT375	34037501		1	
54	96693950	WASHER 6.4x11.0x0.7 D6798A INOX	1	
53	99180900	SCREW M06X10 5931 A2-70	1	
52	98209900	PLUG G. 3/8X13 NICKEL	1	
51	96738000	WASHER 17,5X23X1,5	1	
50	90162500	OIL SEAL 22x32x5	3	
49	90912600	BUSHING 22X25X30	3	
48	99364400	SCREW M 10x18-5931	4	
47	96710600	WASHER 10,2	4	
46	47200074	PUMP FOOT	2	
45	90275450		3	
44	66220070	INTERMEDIATE RING D.28	3	
43	90238100		3	
42	90362050		3	
41	66082970		3	
40	90358500	O-RING 10,82X1,78 (2043)	1	
39	98204700		3	
38	90164800	OIL SEAL 30x55x7	1	
37	47151022	OPEN SIDE COVER (47-66)	1	
36	66219566	PISTON BOLT	3	
35	90358450		3	
34	66041009	PISTON D.28X54	3	
33	96710100	WASHER D. 10X28X0.5	3	
32	66050066	PISTON GUIDE - S.S.	3	
31	97740500	CONNECTING ROD-PIN D.14X39	3	
30	99309900	SCREW M 8x35 UNI 5931	6	
29	90358550	O-RING D.10.82x1.78 HNBR 70SH 2043	3	
28	98203600	PLUG G1/4x8 FOR PROBE D.6 S.S.	1	
27	96770000	WASHER 26,5X32X1,5	1	
26	98226900		1	
25	99188400	SCREW M 6x20 UNI 5931	4	
24	66160022	REAR COVER	1	
23	90392200	O-RING D.133.02X 2,62(3525)	1	

## Illustration Male shaft (key) - vers. ATEX

Pos.	Code	Description	Qty	Notes
22	66030001	CONNECTING ROD	3	
21	91489200	KEY 8(h9)X7X35 UNI 6604/A	1	
20	66020035	CRANKSHAFT C.19 - D. 24	1	
19	98210700	OIL DIPSTICK G3/8X64 D4+FILTER ATEX	1	
18	66010022	CRANKCASE	1	
17	91838000	ROLLER BEARING NJ2206EC	2	
16	90075500	STOP RING J45 UNI7437	1	
15	70211751		1	
14	90387700	O-RING 39,34X2,62 (3156)	1	
13	90391300	O-RING 67,95X2,62 (3268)	2	
12	47151322	SIDE CRANKCASE COVER (ATEX)	1	
11	99303900	SCREW M 8x16 UNI 5931	8	
10	36726301		6	
9	66130341		6	
8	90516500	ANTI-EXTR.RING D.24.7x29x1.5	6	
7	36203551	VALVE CAGE	6	
6	94738800	SPRING Dm. 10x18.5	6	
5	36203476	SPHERICAL VALVE	6	
4	36203366	VALVE SEAT	6	
3	90385750		12	
2	99380100	SCREW M10X90 UNI 5931 8.8	8	
1	66125441		1	