



VHT6628



TECHNICAL INFORMATION

| | |
|-----------------------------------|---------------------|
| Flow (L/min) | 28 / 19 / 15 |
| Flow (US Gpm) | 7,40 / 5 / 3,96 |
| Rotation regime (rpm) | 1750 / 1200 / 950 |
| Pressure (MPa) | 25 |
| Pressure (bar) | 250 |
| Pressure (psi) | 3600 |
| Power (hp) | 18,20 / 12,33 / 10 |
| Power (kW) | 13,38 / 9,07 / 7,35 |
| Overall dimensions L x l x h (mm) | 340,5x242,5x177,5 |
| Weight (kg) | 18,5 |



Documents

Male shaft (key)

Double male shaft (key)

Male shaft (key) - vers. ATEX

Illustration Male shaft (key)

| KIT 375 | KIT 2 | KIT 3 | KIT 376 | KIT 206 |
|---------|-------|-------|---------|---------|
| | | | | |

Lubrificare con grasso di vasellina
cod. 12.0021.00
**
Lubricate with vaseline grease
cod. 12.0021.00

Fissare con Loctite 542
colore ROSSO cod.12.0062.00
*
Fix with red Loctite 542
cod. 12.0062.00

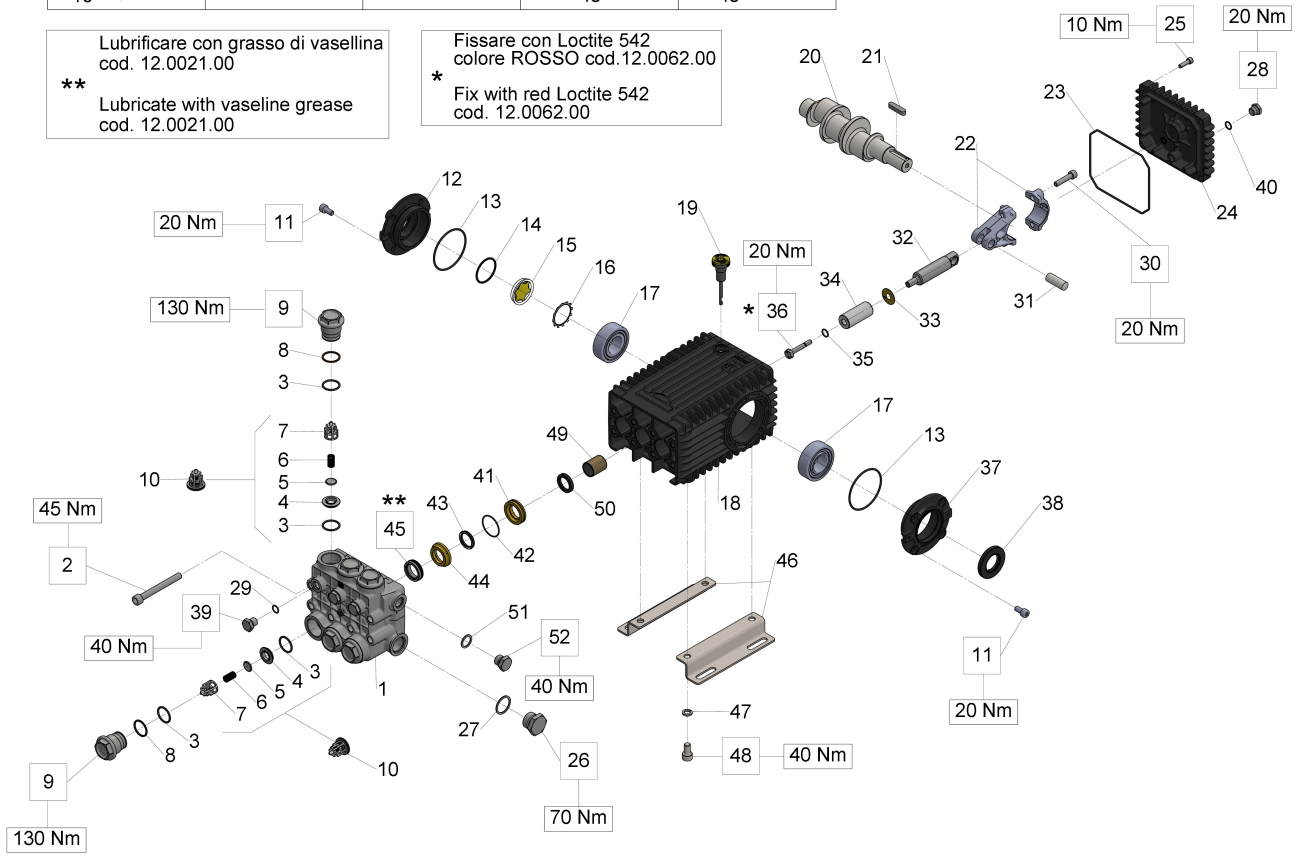


Illustration Male shaft (key)

| Pos. | Code | Description | Qty | Notes |
|--------|----------|--|-----|-------|
| KIT3 | 34000301 | KIT 3 OIL SEAL D.30X55X7 | 1 | |
| KIT2 | 34000201 | KIT 2 OIL SEAL D. 22X32X5,5 | 1 | |
| KIT376 | 34037601 | | 1 | |
| KIT375 | 34037501 | | 1 | |
| KIT206 | 34020601 | | 1 | |
| 52 | 98209900 | PLUG G. 3/8X13 NICKEL | 1 | |
| 51 | 96738000 | WASHER 17,5X23X1,5 | 1 | |
| 50 | 90162500 | OIL SEAL 22x32x5 | 3 | |
| 49 | 90912600 | BUSHING 22X25X30 | 3 | |
| 48 | 99364400 | SCREW M 10x18-5931 | 4 | |
| 47 | 96710600 | WASHER 10,2 | 4 | |
| 46 | 47200074 | PUMP FOOT | 2 | |
| 45 | 90226000 | SEAL D.20X30X10 H.P. (HT) | 3 | |
| 44 | 66216070 | INTERMEDIATE RING D.20 | 3 | |
| 43 | 90225000 | SEAL D.20X26.15 L.P.(66HT) | 3 | |
| 42 | 90361650 | O-RING D. 34.65x1.78 HNBR 70SH 2137 | 3 | |
| 41 | 66081270 | | 3 | |
| 40 | 90358500 | O-RING 10,82X1,78 (2043) | 1 | |
| 39 | 98204700 | | 3 | |
| 38 | 90164800 | OIL SEAL 30x55x7 | 1 | |
| 37 | 47151022 | OPEN SIDE COVER (47-66) | 1 | |
| 36 | 66219566 | PISTON BOLT | 3 | |
| 35 | 90358450 | | 3 | |
| 34 | 66040009 | PISTON D. 20X54 | 3 | |
| 33 | 96710100 | WASHER D. 10X28X0.5 | 3 | |
| 32 | 66050066 | PISTON GUIDE - S.S. | 3 | |
| 31 | 97740500 | CONNECTING ROD-PIN D.14X39 | 3 | |
| 30 | 99309900 | SCREW M 8x35 UNI 5931 | 6 | |
| 29 | 90358550 | O-RING D.10.82x1.78 HNBR 70SH 2043 | 3 | |
| 28 | 98204250 | PLUG G1/4"x12 | 1 | |
| 27 | 96770000 | WASHER 26,5X32X1,5 | 1 | |
| 26 | 98226900 | | 1 | |
| 25 | 99188400 | SCREW M 6x20 UNI 5931 | 4 | |
| 24 | 66160022 | REAR COVER | 1 | |
| 23 | 90392200 | O-RING D.133.02X 2,62(3525) | 1 | |
| 22 | 66030001 | CONNECTING ROD | 3 | |
| 21 | 91489200 | KEY 8(h9)X7X35 UNI 6604/A | 1 | |

Illustration Male shaft (key)

| Pos. | Code | Description | Qty | Notes |
|------|----------|---------------------------------------|-----|-------|
| 20 | 66020035 | CRANKSHAFT C.19 - D. 24 | 1 | |
| 19 | 98210600 | OIL DIP-STICK G3/8X80 | 1 | |
| 18 | 66010022 | CRANKCASE | 1 | |
| 17 | 91838000 | ROLLER BEARING NJ2206EC | 2 | |
| 16 | 90075600 | CIRCLIP D.45 (ZJ45) | 1 | |
| 15 | 70211801 | OIL SIGHT GLASS | 1 | |
| 14 | 90387700 | O-RING 39,34X2,62 (3156) | 1 | |
| 13 | 90391300 | O-RING 67,95X2,62 (3268) | 2 | |
| 12 | 47151222 | SIDE CRANKCASE COVER FOR OIL GAUGE | 1 | |
| 11 | 99303900 | SCREW M 8x16 UNI 5931 | 8 | |
| 10 | 36726301 | | 6 | |
| 9 | 66130341 | | 6 | |
| 8 | 90516500 | ANTI-EXTR.RING D.24.7x29x1.5 | 6 | |
| 7 | 36203551 | VALVE CAGE | 6 | |
| 6 | 94738800 | SPRING Dm. 10x18.5 | 6 | |
| 5 | 36203476 | SPHERICAL VALVE | 6 | |
| 4 | 36203366 | VALVE SEAT | 6 | |
| 3 | 90385750 | | 12 | |
| 2 | 99380100 | SCREW M10X90 UNI 5931 8.8 | 8 | |
| 1 | 66120641 | | 1 | |

Illustration Double male shaft (key)

| KIT 375 | KIT 2 | KIT 3 | KIT 376 | KIT 206 |
|---------|-------|-------|---------|---------|
| | | | | |

** Lubrificare con grasso di vasellina cod. 12.0021.00
 ** Lubricate with vaseline grease cod. 12.0021.00

Fissare con Loctite 542 colore ROSSO cod.12.0062.00
 * Fix with red Loctite 542 cod. 12.0062.00

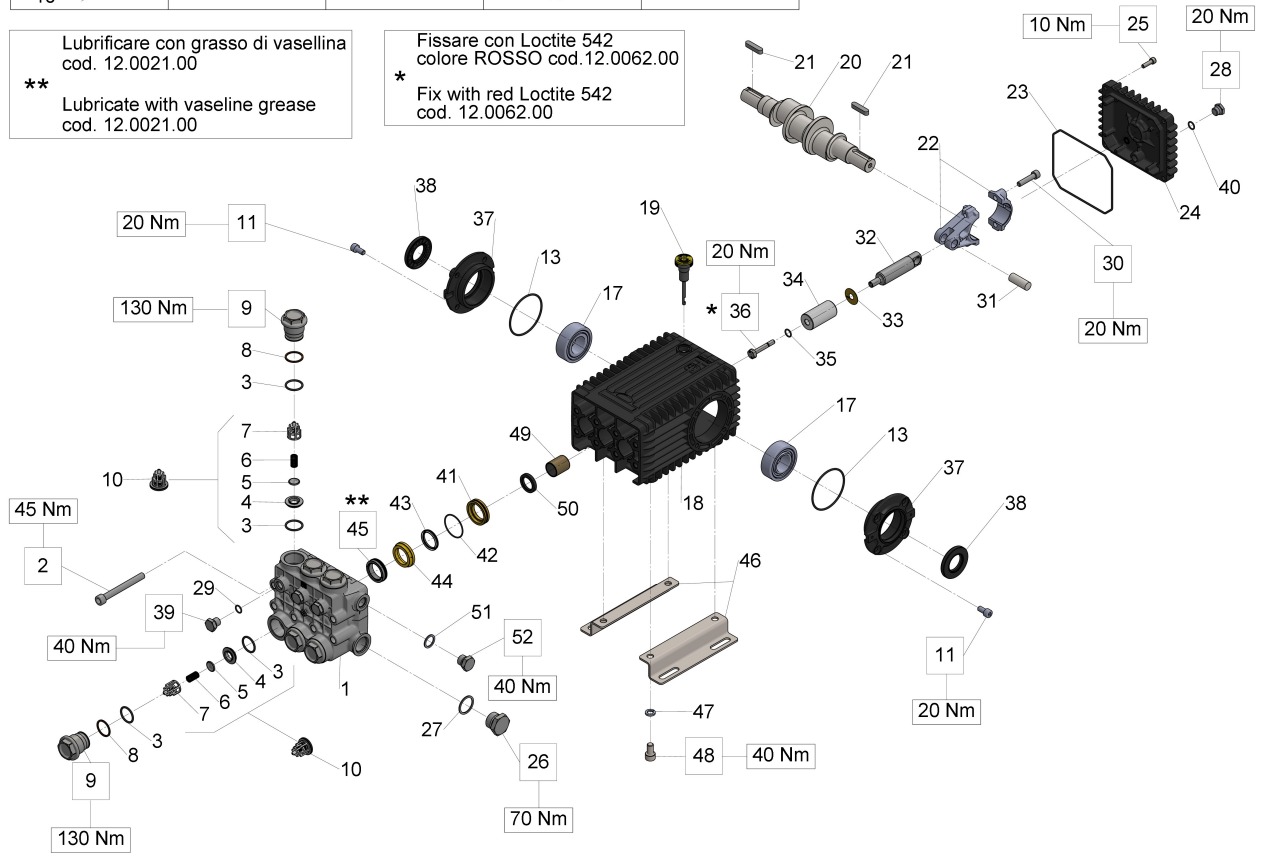


Illustration Double male shaft (key)

| Pos. | Code | Description | Qty | Notes |
|--------|----------|--|-----|-------|
| KIT376 | 34037601 | | 1 | |
| KIT3 | 34000301 | KIT 3 OIL SEAL D.30X55X7 | 1 | |
| KIT2 | 34000201 | KIT 2 OIL SEAL D. 22X32X5,5 | 1 | |
| KIT375 | 34037501 | | 1 | |
| KIT206 | 34020601 | | 1 | |
| 52 | 98209900 | PLUG G. 3/8X13 NICKEL | 1 | |
| 51 | 96738000 | WASHER 17,5X23X1,5 | 1 | |
| 50 | 90162500 | OIL SEAL 22x32x5 | 3 | |
| 49 | 90912600 | BUSHING 22X25X30 | 3 | |
| 48 | 99364400 | SCREW M 10x18-5931 | 4 | |
| 47 | 96710600 | WASHER 10,2 | 4 | |
| 46 | 47200074 | PUMP FOOT | 2 | |
| 45 | 90226000 | SEAL D.20X30X10 H.P. (HT) | 3 | |
| 44 | 66216070 | INTERMEDIATE RING D.20 | 3 | |
| 43 | 90225000 | SEAL D.20X26.15 L.P.(66HT) | 3 | |
| 42 | 90361650 | O-RING D. 34.65x1.78 HNBR 70SH 2137 | 3 | |
| 41 | 66081270 | | 3 | |
| 40 | 90358500 | O-RING 10,82X1,78 (2043) | 1 | |
| 39 | 98204700 | | 3 | |
| 38 | 90164800 | OIL SEAL 30x55x7 | 2 | |
| 37 | 47151022 | OPEN SIDE COVER (47-66) | 2 | |
| 36 | 66219566 | PISTON BOLT | 3 | |
| 35 | 90358450 | | 3 | |
| 34 | 66040009 | PISTON D. 20X54 | 3 | |
| 33 | 96710100 | WASHER D. 10X28X0.5 | 3 | |
| 32 | 66050066 | PISTON GUIDE - S.S. | 3 | |
| 31 | 97740500 | CONNECTING ROD-PIN D.14X39 | 3 | |
| 30 | 99309900 | SCREW M 8x35 UNI 5931 | 6 | |
| 29 | 90358550 | O-RING D.10.82x1.78 HNBR 70SH 2043 | 3 | |
| 28 | 98204250 | PLUG G1/4"x12 | 1 | |
| 27 | 96770000 | WASHER 26,5X32X1,5 | 1 | |
| 26 | 98226900 | | 1 | |
| 25 | 99188400 | SCREW M 6x20 UNI 5931 | 4 | |
| 24 | 66160022 | REAR COVER | 1 | |
| 23 | 90392200 | O-RING D.133.02X 2,62(3525) | 1 | |
| 22 | 66030001 | CONNECTING ROD | 3 | |
| 21 | 91489200 | KEY 8(h9)X7X35 UNI 6604/A | 2 | |

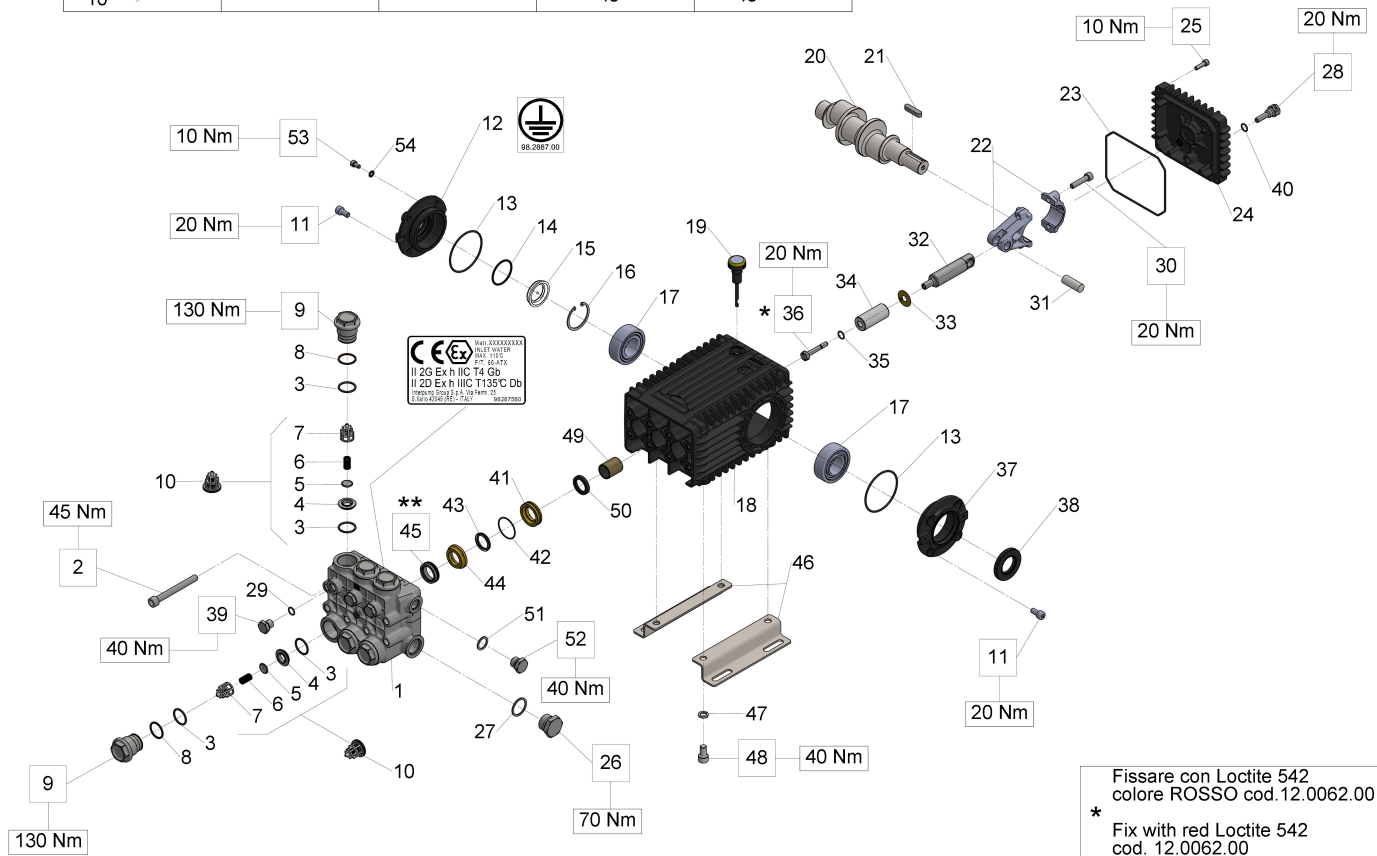
Illustration Double male shaft (key)

| Pos. | Code | Description | Qty | Notes |
|------|----------|------------------------------|-----|-------|
| 20 | 66021035 | CRANKSHAFT C.19 - DUAL PTO | 1 | |
| 20 | 66020035 | CRANKSHAFT C.19 - D. 24 | 1 | |
| 19 | 98210600 | OIL DIP-STICK G3/8X80 | 1 | |
| 18 | 66010022 | CRANKCASE | 1 | |
| 17 | 91838000 | ROLLER BEARING NJ2206EC | 2 | |
| 13 | 90391300 | O-RING 67,95X2,62 (3268) | 2 | |
| 11 | 99303900 | SCREW M 8x16 UNI 5931 | 8 | |
| 10 | 36726301 | | 6 | |
| 9 | 66130341 | | 6 | |
| 8 | 90516500 | ANTI-EXTR.RING D.24.7x29x1.5 | 6 | |
| 7 | 36203551 | VALVE CAGE | 6 | |
| 6 | 94738800 | SPRING Dm. 10x18.5 | 6 | |
| 5 | 36203476 | SPHERICAL VALVE | 6 | |
| 4 | 36203366 | VALVE SEAT | 6 | |
| 3 | 90385750 | | 12 | |
| 2 | 99380100 | SCREW M10X90 UNI 5931 8.8 | 8 | |
| 1 | 66120641 | | 1 | |

Illustration Male shaft (key) - vers. ATEX

| KIT 375 | KIT 2 | KIT 3 | KIT 376 | KIT 206 |
|---------|-------|-------|---------|---------|
| | | | | |

Lubrificare con grasso di vasellina
cod. 12.0021.00
**
Lubricate with vaseline grease
cod. 12.0021.00



Fissare con Loctite 542
colore ROSSO cod.12.0062.00
*
Fix with red Loctite 542
cod. 12.0062.00

Illustration Male shaft (key) - vers. ATEX

| Pos. | Code | Description | Qty | Notes |
|--------|----------|-------------------------------------|-----|-------|
| KIT3 | 34000301 | KIT 3 OIL SEAL D.30X55X7 | 1 | |
| KIT2 | 34000201 | KIT 2 OIL SEAL D. 22X32X5,5 | 1 | |
| KIT376 | 34037601 | | 1 | |
| KIT375 | 34037501 | | 1 | |
| KIT206 | 34020601 | | 1 | |
| 54 | 96693950 | WASHER 6.4x11.0x0.7 D6798A INOX | 1 | |
| 53 | 99180900 | SCREW M06X10 5931 A2-70 | 1 | |
| 52 | 98209900 | PLUG G. 3/8X13 NICKEL | 1 | |
| 51 | 96738000 | WASHER 17,5X23X1,5 | 1 | |
| 50 | 90162500 | OIL SEAL 22x32x5 | 3 | |
| 49 | 90912600 | BUSHING 22X25X30 | 3 | |
| 48 | 99364400 | SCREW M 10x18-5931 | 4 | |
| 47 | 96710600 | WASHER 10,2 | 4 | |
| 46 | 47200074 | PUMP FOOT | 2 | |
| 45 | 90226000 | SEAL D.20X30X10 H.P. (HT) | 3 | |
| 44 | 66216070 | INTERMEDIATE RING D.20 | 3 | |
| 43 | 90225000 | SEAL D.20X26.15 L.P.(66HT) | 3 | |
| 42 | 90361650 | O-RING D. 34.65x1.78 HNBR 70SH 2137 | 3 | |
| 41 | 66081270 | | 3 | |
| 40 | 90358500 | O-RING 10,82X1,78 (2043) | 1 | |
| 39 | 98204700 | | 3 | |
| 38 | 90164800 | OIL SEAL 30x55x7 | 1 | |
| 37 | 47151022 | OPEN SIDE COVER (47-66) | 1 | |
| 36 | 66219566 | PISTON BOLT | 3 | |
| 35 | 90358450 | | 3 | |
| 34 | 66040009 | PISTON D. 20X54 | 3 | |
| 33 | 96710100 | WASHER D. 10X28X0.5 | 3 | |
| 32 | 66050066 | PISTON GUIDE - S.S. | 3 | |
| 31 | 97740500 | CONNECTING ROD-PIN D.14X39 | 3 | |
| 30 | 99309900 | SCREW M 8x35 UNI 5931 | 6 | |
| 29 | 90358550 | O-RING D.10.82x1.78 HNBR 70SH 2043 | 3 | |
| 28 | 98203600 | PLUG G1/4x8 FOR PROBE D.6 S.S. | 1 | |
| 27 | 96770000 | WASHER 26,5X32X1,5 | 1 | |
| 26 | 98226900 | | 1 | |
| 25 | 99188400 | SCREW M 6x20 UNI 5931 | 4 | |
| 24 | 66160022 | REAR COVER | 1 | |

Illustration Male shaft (key) - vers. ATEX

| Pos. | Code | Description | Qty | Notes |
|------|----------|--|-----|-------|
| 23 | 90392200 | O-RING D.133.02X 2,62(3525) | 1 | |
| 22 | 66030001 | CONNECTING ROD | 3 | |
| 21 | 91489200 | KEY 8(h9)X7X35 UNI 6604/A | 1 | |
| 20 | 66020035 | CRANKSHAFT C.19 - D. 24 | 1 | |
| 19 | 98210700 | OIL DIPSTICK G3/8X64 D4+FILTER ATEX | 1 | |
| 18 | 66010022 | CRANKCASE | 1 | |
| 17 | 91838000 | ROLLER BEARING NJ2206EC | 2 | |
| 16 | 90075500 | STOP RING J45 UNI7437 | 1 | |
| 15 | 70211751 | | 1 | |
| 14 | 90387700 | O-RING 39,34X2,62 (3156) | 1 | |
| 13 | 90391300 | O-RING 67,95X2,62 (3268) | 2 | |
| 12 | 47151322 | SIDE CRANKCASE COVER (ATEX) | 1 | |
| 11 | 99303900 | SCREW M 8x16 UNI 5931 | 8 | |
| 10 | 36726301 | | 6 | |
| 9 | 66130341 | | 6 | |
| 8 | 90516500 | ANTI-EXTR.RING D.24.7x29x1.5 | 6 | |
| 7 | 36203551 | VALVE CAGE | 6 | |
| 6 | 94738800 | SPRING Dm. 10x18.5 | 6 | |
| 5 | 36203476 | SPHERICAL VALVE | 6 | |
| 4 | 36203366 | VALVE SEAT | 6 | |
| 3 | 90385750 | | 12 | |
| 2 | 99380100 | SCREW M10X90 UNI 5931 8.8 | 8 | |
| 1 | 66120641 | | 1 | |