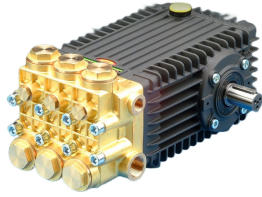




T1750



TECHNICAL INFORMATION

Flow (L/min)	50
Flow (US Gpm)	13,20
Rotation regime (rpm)	1750
Pressure (MPa)	17,2
Pressure (bar)	172
Pressure (psi)	2500
Power (hp)	22
Power (kW)	16,17
Overall dimensions L x l x h (mm)	340,5x242,5x189,5
Weight (kg)	18,5



Documents

Male shaft (key)

Double male shaft (key)

Male shaft (key) - vers. ATEX

Hollow shaft (key - 7/8") - predisposition for Hy-Pack

Hy-Pack version - GAS + gear motor 37cc

Hy-Pack version - GAS + gear motor 53cc

Illustration Male shaft (key)

KIT 169	KIT 2	KIT 3	KIT 182	KIT 181

Lubrificare con grasso di vasellina
cod. 12.0021.00
**
Lubricate with vaseline grease
cod. 12.0021.00

Fissare con Loctite 542
colore ROSSO cod. 12.0062.00
*
Fix with red Loctite 542
cod. 12.0062.00

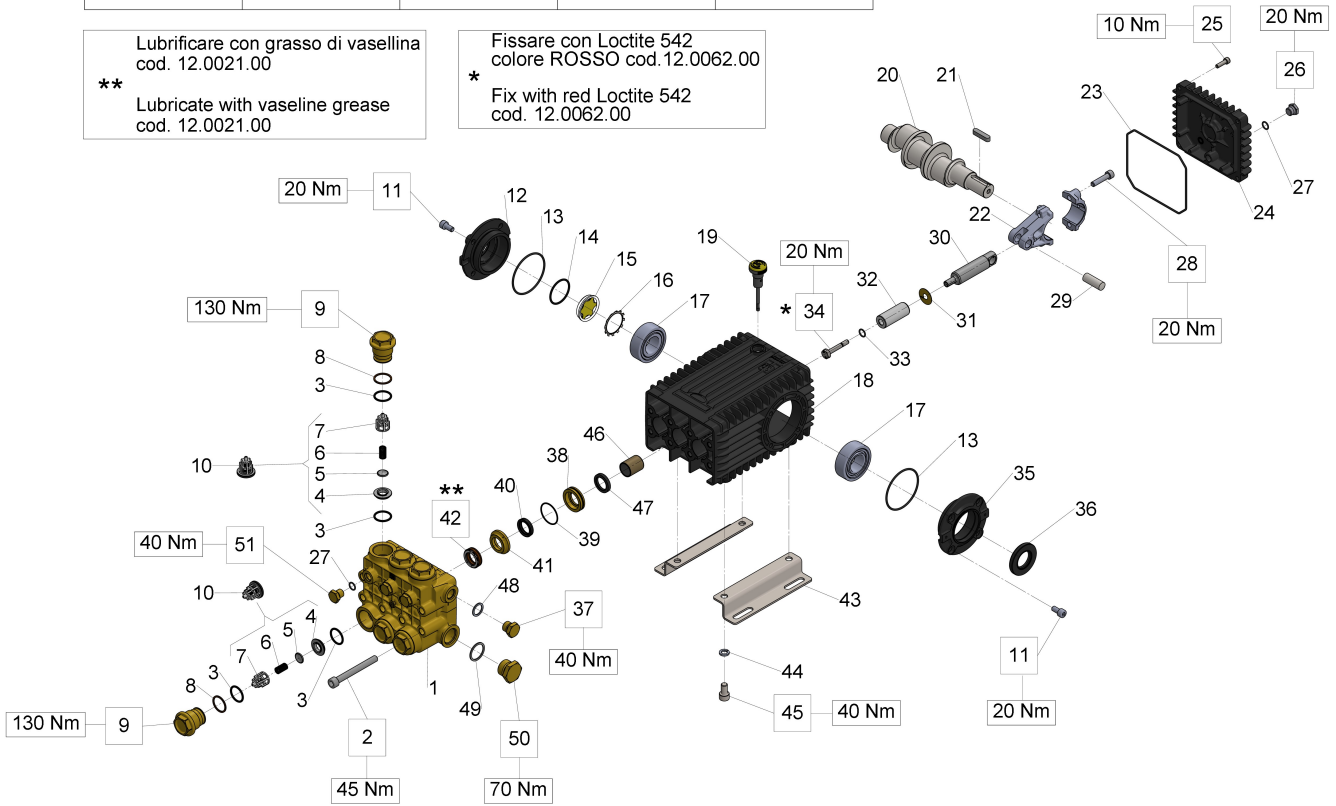




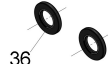
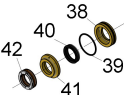
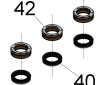
Illustration Male shaft (key)

Pos.	Code	Description	Qty	Notes
KIT3	34000301	KIT 3 OIL SEAL D.30X55X7	1	
KIT2	34000201	KIT 2 OIL SEAL D. 22X32X5,5	1	
KIT182	34018201	KIT 182 COMPL. SEAL D.24	1	
KIT181	34018101	KIT 181 SEALS D. 24	1	
KIT169	34016901	KIT 169 INTAKE/DEL.VALVE (66)	1	
51	98204300	PLUG G1/4X10	3	
50	98226800	PLUG G3/4X16	1	
49	96770000	WASHER 26,5X32X1,5	1	
48	96738000	WASHER 17,5X23X1,5	1	
47	90162500	OIL SEAL 22x32x5	3	
46	90912600	BUSHING 22X25X30	3	
45	99364400	SCREW M 10x18-5931	4	
44	96710600	WASHER 10,2	4	
43	47200074	PUMP FOOT	2	
42	90274100	PACKING D. 24X34X10 H.P. 66	3	
41	66216470	INTERMEDIATE RING D. 24	3	
40	90273800	PACKING D.24X32X6.5 L.P.66	3	
39	90361600	O-RING 34,65X1,78 (2137)	3	
38	66080470	RETAINER RING D.24	3	
37	98210000	PLUG G3/8X13	1	
36	90164800	OIL SEAL 30x55x7	1	
35	47151022	OPEN SIDE COVER (47-66)	1	
34	66219566	PISTON BOLT	3	
33	90358400	O-RING D.10,82X1,78(2043)90SH3		
32	66040409	PISTON D. 24X54	3	
31	96710100	WASHER D. 10X28X0.5	3	
30	66050066	PISTON GUIDE - S.S.	3	
29	97740500	CONNECTING ROD-PIN D.14X39	3	
28	99309900	SCREW M 8x35 UNI 5931	6	
27	90358500	O-RING 10,82X1,78 (2043)	4	
26	98204250	PLUG G1/4"x12	1	
25	99188400	SCREW M 6x20 UNI 5931	4	
24	66160022	REAR COVER	1	
23	90392200	O-RING D.133.02X 2,62(3525)	1	
22	66030001	CONNECTING ROD	3	
21	91489200	KEY 8(h9)X7X35 UNI 6604/A	1	

Illustration Male shaft (key)

Pos.	Code	Description	Qty	Notes
20	66020435	CRANKSHAFT C.21 - D. 24	1	
19	98210600	OIL DIP-STICK G3/8X80	1	
18	66010022	CRANKCASE	1	
17	91838000	ROLLER BEARING NJ2206EC	2	
16	90075600	CIRCLIP D.45 (ZJ45)	1	
15	70211801	OIL SIGHT GLASS	1	
14	90387700	O-RING 39,34X2,62 (3156)	1	
13	90391300	O-RING 67,95X2,62 (3268)	2	
12	47151222	SIDE CRANKCASE COVER FOR OIL GAUGE	1	
11	99303900	SCREW M 8x16 UNI 5931	8	
10	36712701	INTAKE/DEL.VALVE ASSY(66)	6	
9	66130041	VALVE CAP M32x1.5x29.5	6	
8	90516500	ANTI-EXTR.RING D.24.7x29x1.5	6	
7	36203551	VALVE CAGE	6	
6	94738800	SPRING Dm. 10x18.5	6	
5	36203476	SPHERICAL VALVE	6	
4	36203366	VALVE SEAT	6	
3	90385700	O-RING 23,81X2,62 (132)	12	
2	99380100	SCREW M10X90 UNI 5931 8.8	8	
1	66120241	PUMP MANIFOLD (BORE 24)	1	

Illustration Double male shaft (key)

KIT 169	KIT 2	KIT 3	KIT 182	KIT 181
				

**
Lubrificare con grasso di vasellina
cod. 12.0021.00
Lubricate with vaseline grease
cod. 12.0021.00

*
Fissare con Loctite 542
colore ROSSO cod. 12.0062.00
Fix with red Loctite 542
cod. 12.0062.00

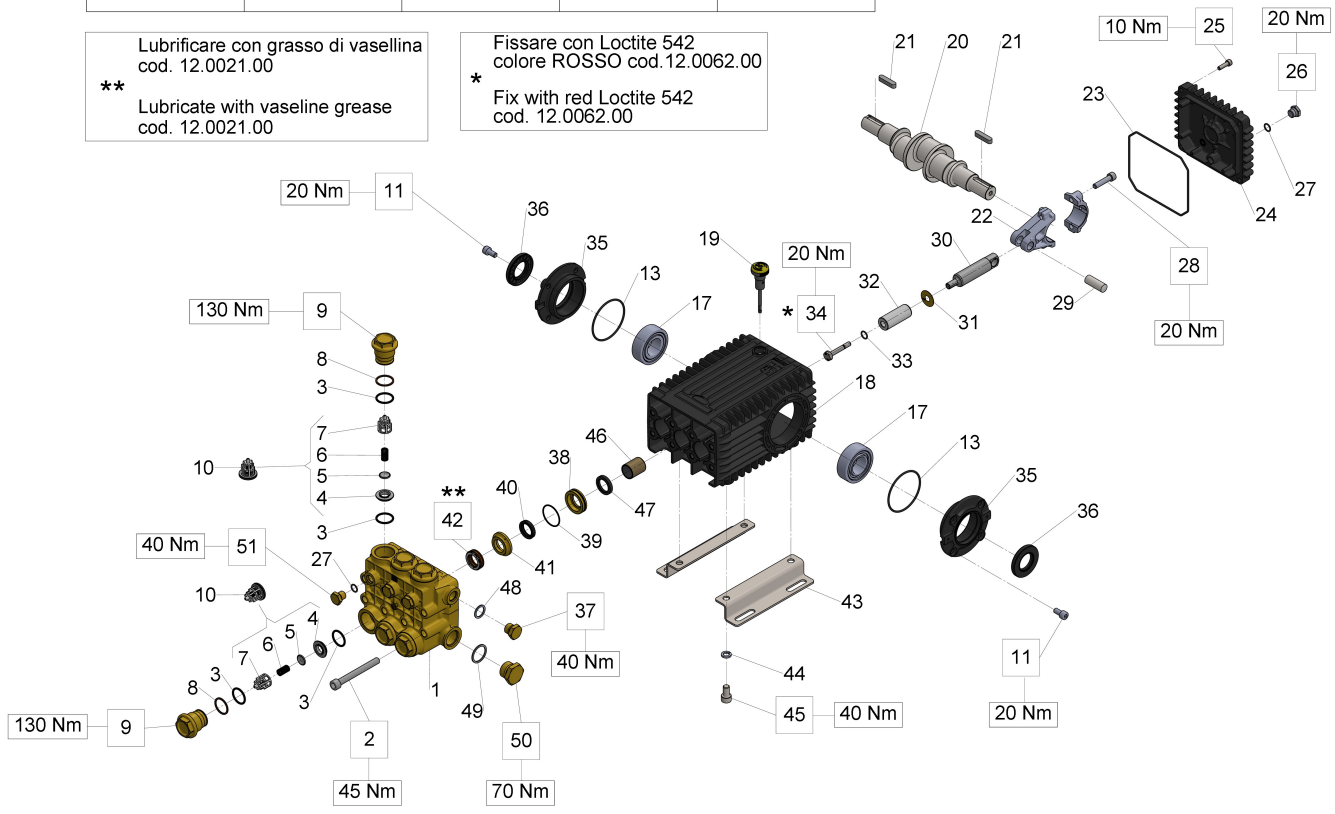



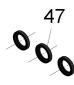
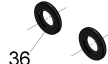
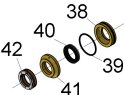
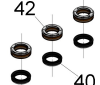
Illustration Double male shaft (key)

Pos.	Code	Description	Qty	Notes
KIT3	34000301	KIT 3 OIL SEAL D.30X55X7	1	
KIT2	34000201	KIT 2 OIL SEAL D. 22X32X5,5	1	
KIT182	34018201	KIT 182 COMPL. SEAL D.24	1	
KIT181	34018101	KIT 181 SEALS D. 24	1	
KIT169	34016901	KIT 169 INTAKE/DEL.VALVE (66)	1	
51	98204300	PLUG G1/4X10	3	
50	98226800	PLUG G3/4X16	1	
49	96770000	WASHER 26,5X32X1,5	1	
48	96738000	WASHER 17,5X23X1,5	1	
47	90162500	OIL SEAL 22x32x5	3	
46	90912600	BUSHING 22X25X30	3	
45	99364400	SCREW M 10x18-5931	4	
44	96710600	WASHER 10,2	4	
43	47200074	PUMP FOOT	2	
42	90274100	PACKING D. 24X34X10 H.P. 66	3	
41	66216470	INTERMEDIATE RING D. 24	3	
40	90273800	PACKING D.24X32X6.5 L.P.66	3	
39	90361600	O-RING 34,65X1,78 (2137)	3	
38	66080470	RETAINER RING D.24	3	
37	98210000	PLUG G3/8X13	1	
36	90164800	OIL SEAL 30x55x7	2	
35	47151022	OPEN SIDE COVER (47-66)	2	
34	66219566	PISTON BOLT	3	
33	90358400	O-RING D.10,82X1,78(2043)90SH3		
32	66040409	PISTON D. 24X54	3	
31	96710100	WASHER D. 10X28X0.5	3	
30	66050066	PISTON GUIDE - S.S.	3	
29	97740500	CONNECTING ROD-PIN D.14X39	3	
28	99309900	SCREW M 8x35 UNI 5931	6	
27	90358500	O-RING 10,82X1,78 (2043)	4	
26	98204250	PLUG G1/4"x12	1	
25	99188400	SCREW M 6x20 UNI 5931	4	
24	66160022	REAR COVER	1	
23	90392200	O-RING D.133.02X 2,62(3525)	1	
22	66030001	CONNECTING ROD	3	
21	91489200	KEY 8(h9)X7X35 UNI 6604/A	2	

Illustration Double male shaft (key)

Pos.	Code	Description	Qty	Notes
20	66021035	CRANKSHAFT C.19 - DUAL PTO	1	
19	98210600	OIL DIP-STICK G3/8X80	1	
18	66010022	CRANKCASE	1	
17	91838000	ROLLER BEARING NJ2206EC	2	
14	90387700	O-RING 39,34X2,62 (3156)	1	
13	90391300	O-RING 67,95X2,62 (3268)	2	
11	99303900	SCREW M 8x16 UNI 5931	8	
10	36712701	INTAKE/DEL.VALVE ASSY(66)	6	
9	66130041	VALVE CAP M32x1.5x29.5	6	
8	90516500	ANTI-EXTR.RING D.24.7x29x1.5	6	
7	36203551	VALVE CAGE	6	
6	94738800	SPRING Dm. 10x18.5	6	
5	36203476	SPHERICAL VALVE	6	
4	36203366	VALVE SEAT	6	
3	90385700	O-RING 23,81X2,62 (132)	12	
2	99380100	SCREW M10X90 UNI 5931 8.8	8	
1	66120241	PUMP MANIFOLD (BORE 24)	1	

Illustration Male shaft (key) - vers. ATEX

KIT 169	KIT 2	KIT 3	KIT 182	KIT 181
				

Lubrificare con grasso di vasellina
cod. 12.0021.00
**
Lubricate with vaseline grease
cod. 12.0021.00

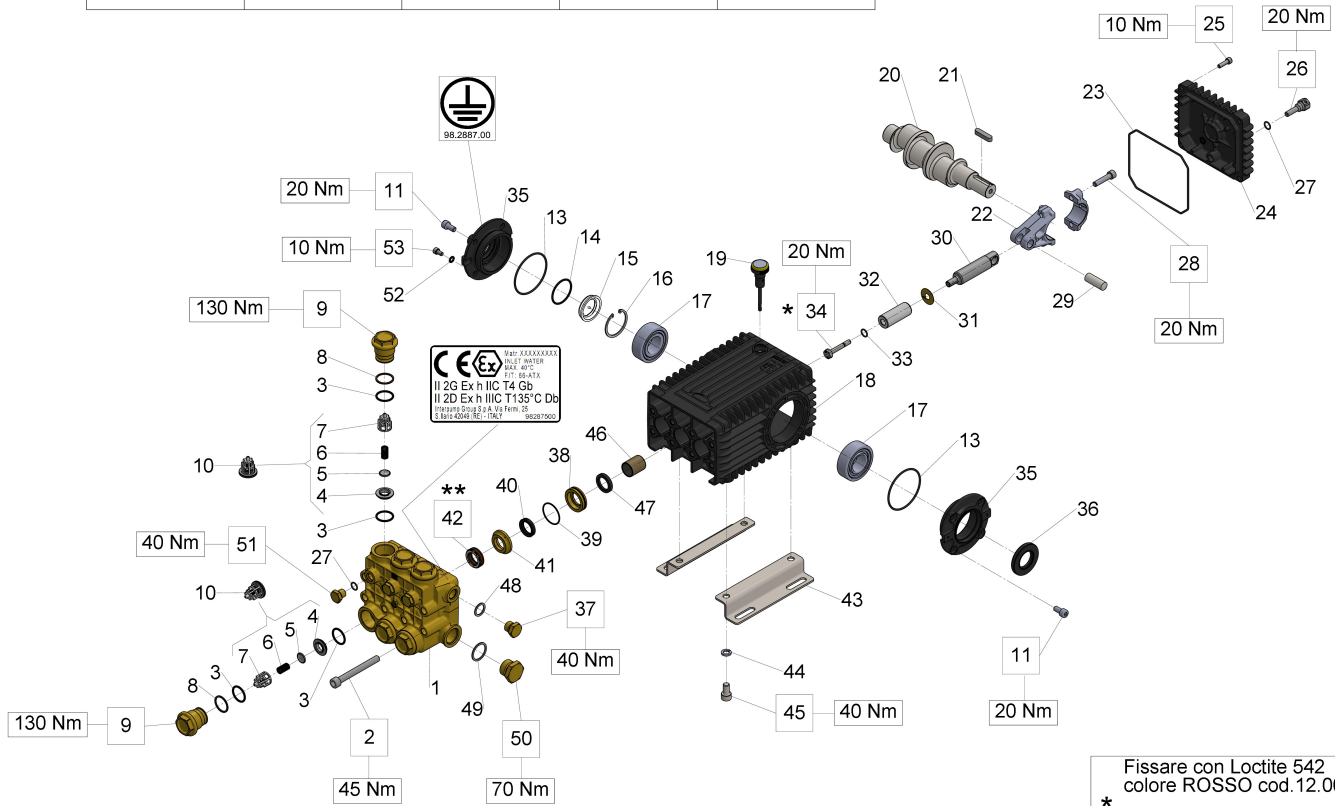


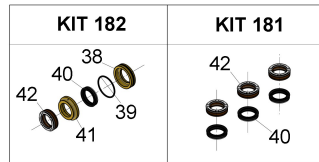
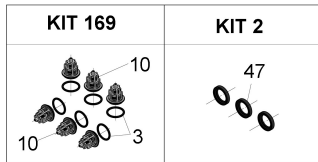
Illustration Male shaft (key) - vers. ATEX

Pos.	Code	Description	Qty	Notes
KIT3	34000301	KIT 3 OIL SEAL D.30X55X7	1	
KIT2	34000201	KIT 2 OIL SEAL D. 22X32X5,5	1	
KIT182	34018201	KIT 182 COMPL. SEAL D.24	1	
KIT181	34018101	KIT 181 SEALS D. 24	1	
KIT169	34016901	KIT 169 INTAKE/DEL.VALVE (66)	1	
53	99180900	SCREW M06X10 5931 A2-70	1	
52	96693950	WASHER 6.4x11.0x0.7 D6798A INOX	1	
51	98204300	PLUG G1/4X10	3	
50	98226800	PLUG G3/4X16	1	
49	96770000	WASHER 26,5X32X1,5	1	
48	96738000	WASHER 17,5X23X1,5	1	
47	90162500	OIL SEAL 22x32x5	3	
46	90912600	BUSHING 22X25X30	3	
45	99364400	SCREW M 10x18-5931	4	
44	96710600	WASHER 10,2	4	
43	47200074	PUMP FOOT	2	
42	90274100	PACKING D. 24X34X10 H.P. 66	3	
41	66216470	INTERMEDIATE RING D. 24	3	
40	90273800	PACKING D.24X32X6.5 L.P.66	3	
39	90361600	O-RING 34,65X1,78 (2137)	3	
38	66080470	RETAINER RING D.24	3	
37	98210000	PLUG G3/8X13	1	
36	90164800	OIL SEAL 30x55x7	1	
35	47151322	SIDE CRANKCASE COVER (ATEX)	1	
35	47151022	OPEN SIDE COVER (47-66)	1	
34	66219566	PISTON BOLT	3	
33	90358400	O-RING D.10,82X1,78(2043)90SH3		
32	66040409	PISTON D. 24X54	3	
31	96710100	WASHER D. 10X28X0.5	3	
30	66050066	PISTON GUIDE - S.S.	3	
29	97740500	CONNECTING ROD-PIN D.14X39	3	
28	99309900	SCREW M 8x35 UNI 5931	6	
27	90358500	O-RING 10,82X1,78 (2043)	4	
26	98203600	PLUG G1/4x8 FOR PROBE D.6 S.S.	1	
25	99188400	SCREW M 6x20 UNI 5931	4	
24	66160022	REAR COVER	1	

Illustration Male shaft (key) - vers. ATEX

Pos.	Code	Description	Qty	Notes
23	90392200	O-RING D.133.02X 2,62(3525)	1	
22	66030001	CONNECTING ROD	3	
21	91489200	KEY 8(h9)X7X35 UNI 6604/A	1	
20	66020435	CRANKSHAFT C.21 - D. 24	1	
19	98210700	OIL DIPSTICK G3/8X64 D4+FILTER ATEX	1	
18	66010022	CRANKCASE	1	
17	91838000	ROLLER BEARING NJ2206EC	2	
16	90075500	STOP RING J45 UNI7437	1	
15	70211751		1	
14	90387700	O-RING 39,34X2,62 (3156)	1	
13	90391300	O-RING 67,95X2,62 (3268)	2	
11	99303900	SCREW M 8x16 UNI 5931	8	
10	36712701	INTAKE/DEL.VALVE ASSY(66)	6	
9	66130041	VALVE CAP M32x1.5x29.5	6	
8	90516500	ANTI-EXTR.RING D.24.7x29x1.5	6	
7	36203551	VALVE CAGE	6	
6	94738800	SPRING Dm. 10x18.5	6	
5	36203476	SPHERICAL VALVE	6	
4	36203366	VALVE SEAT	6	
3	90385700	O-RING 23,81X2,62 (132)	12	
2	99380100	SCREW M10X90 UNI 5931 8.8	8	
1	66120241	PUMP MANIFOLD (BORE 24)	1	

Illustration Hollow shaft (key - 7/8") - predisposition for Hy-Pack



Lubrificare con grasso di vasellina
cod. 12.0021.00
**
Lubricate with vaseline grease
cod. 12.0021.00

Fissare con Loctite 542
colore ROSSO cod. 12.0062.00
*
Fix with red Loctite 542
cod. 12.0062.00

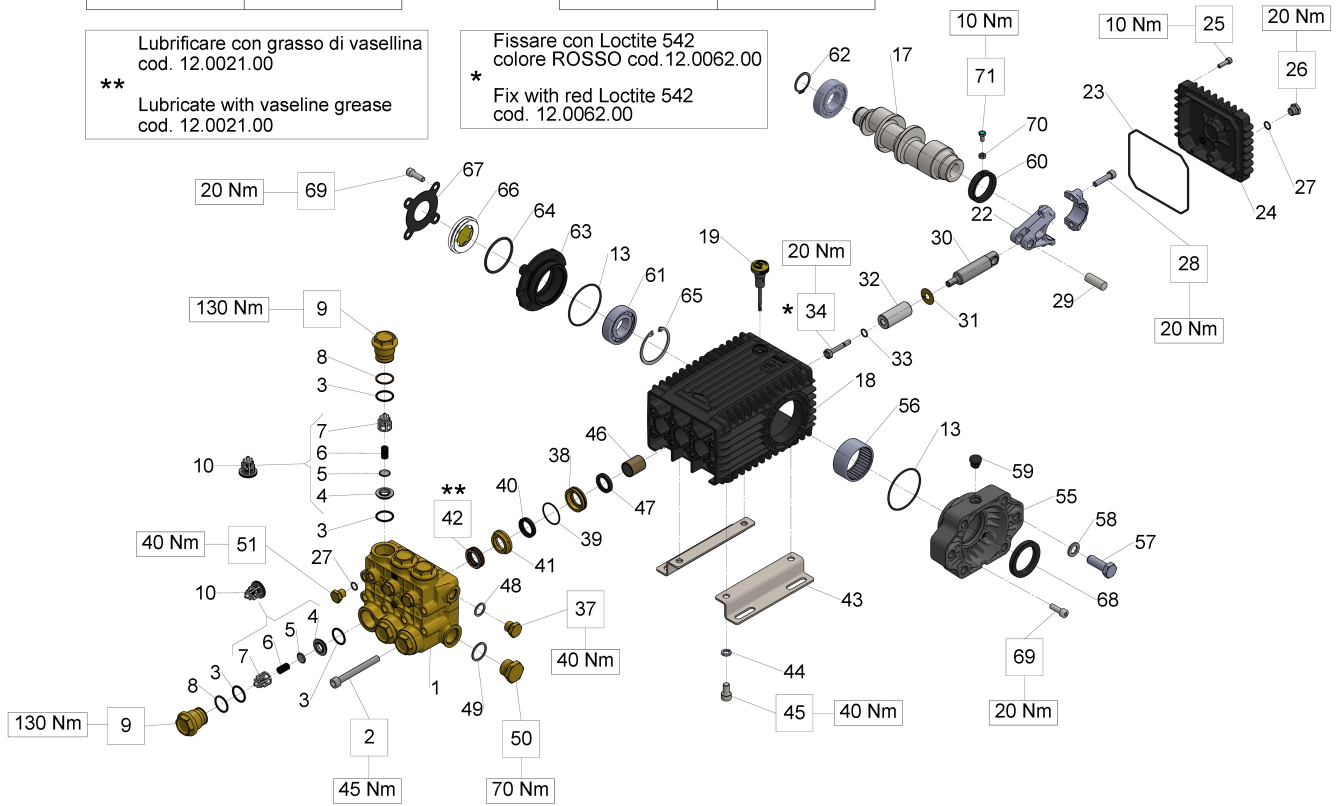


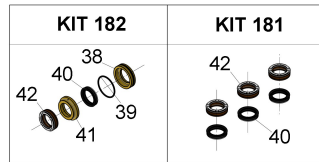
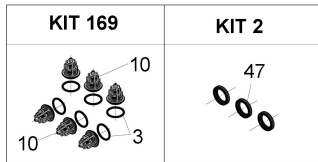
Illustration Hollow shaft (key - 7/8") - predisposition for Hy-Pack

Pos.	Code	Description	Qty	Notes
KIT2	34000201	KIT 2 OIL SEAL D. 22X32X5,5	1	
KIT182	34018201	KIT 182 COMPL. SEAL D.24	1	
KIT181	34018101	KIT 181 SEALS D. 24	1	
KIT169	34016901	KIT 169 INTAKE/DEL.VALVE (66)	1	
71	70227034	VITE M6X12 CON INCAVO COMPLETA	1	
70	92202500	NUT M6 UNI 5588 6S	1	
69	99306900	SCREW M 8x25 UNI 5931	8	
68	90169000	OIL SEAL D. 45X62X8	1	
67	66150274	SIDE COVER	1	
66	44211801	SPACER+OIL LEVEL GAUGE	1	
65	90085000	CIRCLIP D. 62 UNI 7437	1	
64	90409700	O-RING 55,56X3,53 (159)	1	
63	59150022	SIDE CRANKCASE COVER	1	
62	90066700	CIRCLIP D. 30 UNI 7435	1	
61	91837600	ROLLER BEARING NUP206ECP	1	
60	71228971	ANELLO PER ALBERO D.40 H.PACK	1	
59	90206500	PLUG FOR BORE D.17 - TTN19	1	
58	96728200	WASHER 15.0x24.0x2.5 U1749	2	
57	99484800	SCREW M14x40 5739 8.8 ZINC 871034154	2	
56	91858700		1	
55	10087222		1	
51	98204300	PLUG G1/4X10	3	
50	98226800	PLUG G3/4X16	1	
49	96770000	WASHER 26,5X32X1,5	1	
48	96738000	WASHER 17,5X23X1,5	1	
47	90162500	OIL SEAL 22x32x5	3	
46	90912600	BUSHING 22X25X30	3	
45	99364400	SCREW M 10x18-5931	4	
44	96710600	WASHER 10,2	4	
43	47200074	PUMP FOOT	2	
42	90274100	PACKING D. 24X34X10 H.P. 66	3	
41	66216470	INTERMEDIATE RING D. 24	3	
40	90273800	PACKING D.24X32X6.5 L.P.66	3	
39	90361600	O-RING 34,65X1,78 (2137)	3	
38	66080470	RETAINER RING D.24	3	

Illustration Hollow shaft (key - 7/8") - predisposition for Hy-Pack

Pos.	Code	Description	Qty	Notes
37	98210000	PLUG G3/8X13	1	
34	66219566	PISTON BOLT	3	
33	90358400	O-RING D.10,82X1,78(2043)90SH3		
32	66040409	PISTON D. 24X54	3	
31	96710100	WASHER D. 10X28X0.5	3	
30	66050066	PISTON GUIDE - S.S.	3	
29	97740500	CONNECTING ROD-PIN D.14X39	3	
28	99309900	SCREW M 8x35 UNI 5931	6	
27	90358500	O-RING 10,82X1,78 (2043)	4	
26	98204250	PLUG G1/4"x12	1	
25	99188400	SCREW M 6x20 UNI 5931	4	
24	66160022	REAR COVER	1	
23	90392200	O-RING D.133.02X 2,62(3525)	1	
22	66030001	CONNECTING ROD	3	
19	98210600	OIL DIP-STICK G3/8X80	1	
18	66010022	CRANKCASE	1	
17	66021365		1	
13	90391300	O-RING 67,95X2,62 (3268)	2	
10	36712701	INTAKE/DEL.VALVE ASSY(66)	6	
9	66130041	VALVE CAP M32x1.5x29.5	6	
8	90516500	ANTI-EXTR.RING D.24.7x29x1.5	6	
7	36203551	VALVE CAGE	6	
6	94738800	SPRING Dm. 10x18.5	6	
5	36203476	SPHERICAL VALVE	6	
4	36203366	VALVE SEAT	6	
3	90385700	O-RING 23,81X2,62 (132)	12	
2	99380100	SCREW M10X90 UNI 5931 8.8	8	
1	66120241	PUMP MANIFOLD (BORE 24)	1	

Illustration Hy-Pack version - GAS + gear motor 37cc



Lubrificare con grasso di vasellina
cod. 12.0021.00
**
Lubricate with vaseline grease
cod. 12.0021.00

Fissare con Loctite 542
colore ROSSO cod. 12.0062.00
*
Fix with red Loctite 542
cod. 12.0062.00

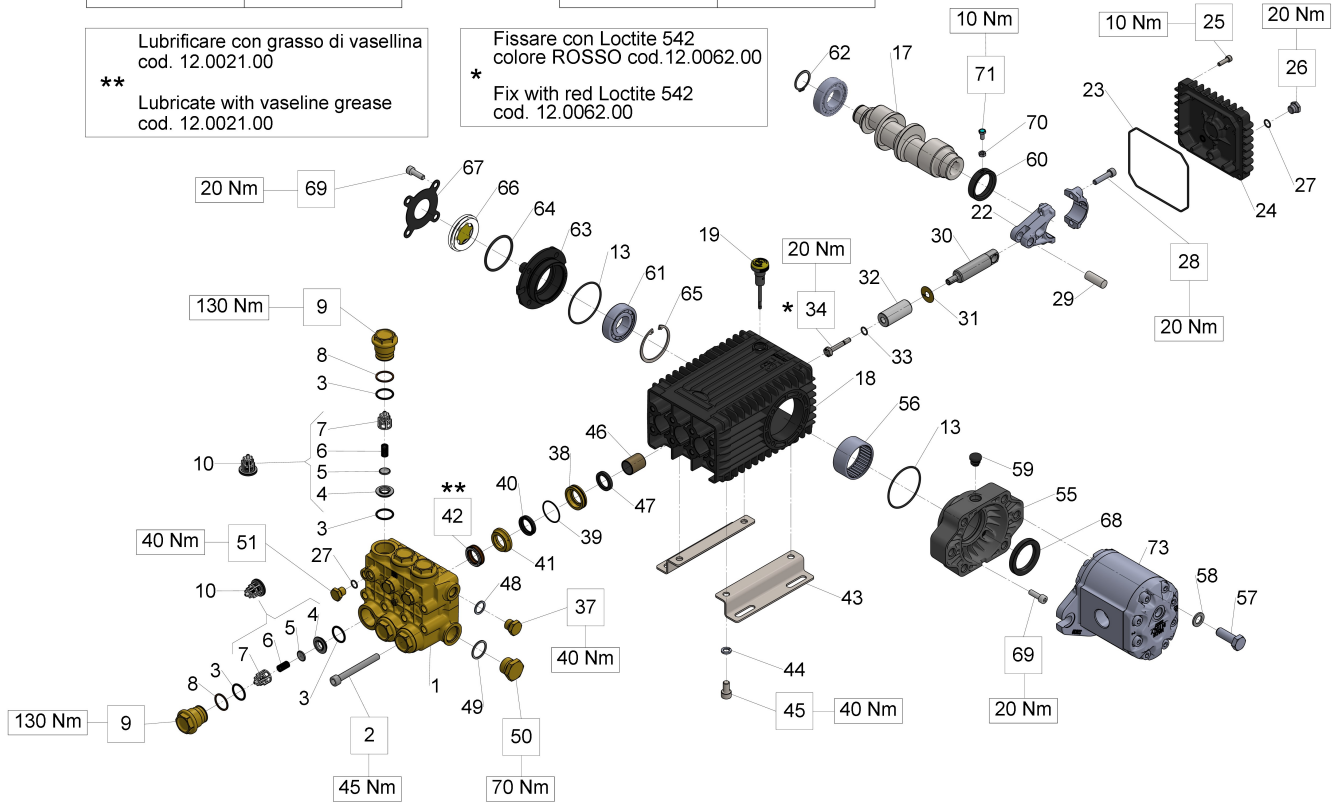


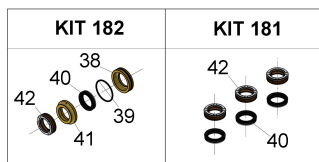
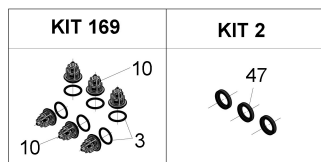
Illustration Hy-Pack version - GAS + gear motor 37cc

Pos.	Code	Description	Qty	Notes
KIT2	34000201	KIT 2 OIL SEAL D. 22X32X5,5	1	
KIT182	34018201	KIT 182 COMPL. SEAL D.24	1	
KIT181	34018101	KIT 181 SEALS D. 24	1	
KIT169	34016901	KIT 169 INTAKE/DEL.VALVE (66)	1	
73	95108000		1	
71	70227034	VITE M6X12 CON INCAVO COMPLETA	1	
70	92202500	NUT M6 UNI 5588 6S	1	
69	99306900	SCREW M 8x25 UNI 5931	8	
68	90169000	OIL SEAL D. 45X62X8	1	
67	66150274	SIDE COVER	1	
66	44211801	SPACER+OIL LEVEL GAUGE	1	
65	90085000	CIRCLIP D. 62 UNI 7437	1	
64	90409700	O-RING 55,56X3,53 (159)	1	
63	59150022	SIDE CRANKCASE COVER	1	
62	90066700	CIRCLIP D. 30 UNI 7435	1	
61	91837600	ROLLER BEARING NUP206ECP	1	
60	71228971	ANELLO PER ALBERO D.40 H.PACK	1	
59	90206500	PLUG FOR BORE D.17 - TTN19	1	
58	96728200	WASHER 15.0x24.0x2.5 U1749	2	
57	99484800	SCREW M14x40 5739 8.8 ZINC 871034154	2	
56	91858700		1	
55	10087222		1	
51	98204300	PLUG G1/4X10	3	
50	98226800	PLUG G3/4X16	1	
49	96770000	WASHER 26,5X32X1,5	1	
48	96738000	WASHER 17,5X23X1,5	1	
47	90162500	OIL SEAL 22x32x5	3	
46	90912600	BUSHING 22X25X30	3	
45	99364400	SCREW M 10x18-5931	4	
44	96710600	WASHER 10,2	4	
43	47200074	PUMP FOOT	2	
42	90274100	PACKING D. 24X34X10 H.P. 66	3	
41	66216470	INTERMEDIATE RING D. 24	3	
40	90273800	PACKING D.24X32X6.5 L.P.66	3	
39	90361600	O-RING 34,65X1,78 (2137)	3	

Illustration Hy-Pack version - GAS + gear motor 37cc

Pos.	Code	Description	Qty	Notes
38	66080470	RETAINER RING D.24	3	
37	98210000	PLUG G3/8X13	1	
34	66219566	PISTON BOLT	3	
33	90358400	O-RING D.10,82X1,78(2043)90SH3		
32	66040409	PISTON D. 24X54	3	
31	96710100	WASHER D. 10X28X0.5	3	
30	66050066	PISTON GUIDE - S.S.	3	
29	97740500	CONNECTING ROD-PIN D.14X39	3	
28	99309900	SCREW M 8x35 UNI 5931	6	
27	90358500	O-RING 10,82X1,78 (2043)	4	
26	98204250	PLUG G1/4"x12	1	
25	99188400	SCREW M 6x20 UNI 5931	4	
24	66160022	REAR COVER	1	
23	90392200	O-RING D.133.02X 2,62(3525)	1	
22	66030001	CONNECTING ROD	3	
19	98210600	OIL DIP-STICK G3/8X80	1	
18	66010022	CRANKCASE	1	
17	66021365		1	
13	90391300	O-RING 67,95X2,62 (3268)	2	
10	36712701	INTAKE/DEL.VALVE ASSY(66)	6	
9	66130041	VALVE CAP M32x1.5x29.5	6	
8	90516500	ANTI-EXTR.RING D.24.7x29x1.5	6	
7	36203551	VALVE CAGE	6	
6	94738800	SPRING Dm. 10x18.5	6	
5	36203476	SPHERICAL VALVE	6	
4	36203366	VALVE SEAT	6	
3	90385700	O-RING 23,81X2,62 (132)	12	
2	99380100	SCREW M10X90 UNI 5931 8.8	8	
1	66120241	PUMP MANIFOLD (BORE 24)	1	

Illustration Hy-Pack version - GAS + gear motor 53cc



Lubrificare con grasso di vasellina
cod. 12.0021.00
**
Lubricate with vaseline grease
cod. 12.0021.00

Fissare con Loctite 542
colore ROSSO cod. 12.0062.00
*
Fix with red Loctite 542
cod. 12.0062.00

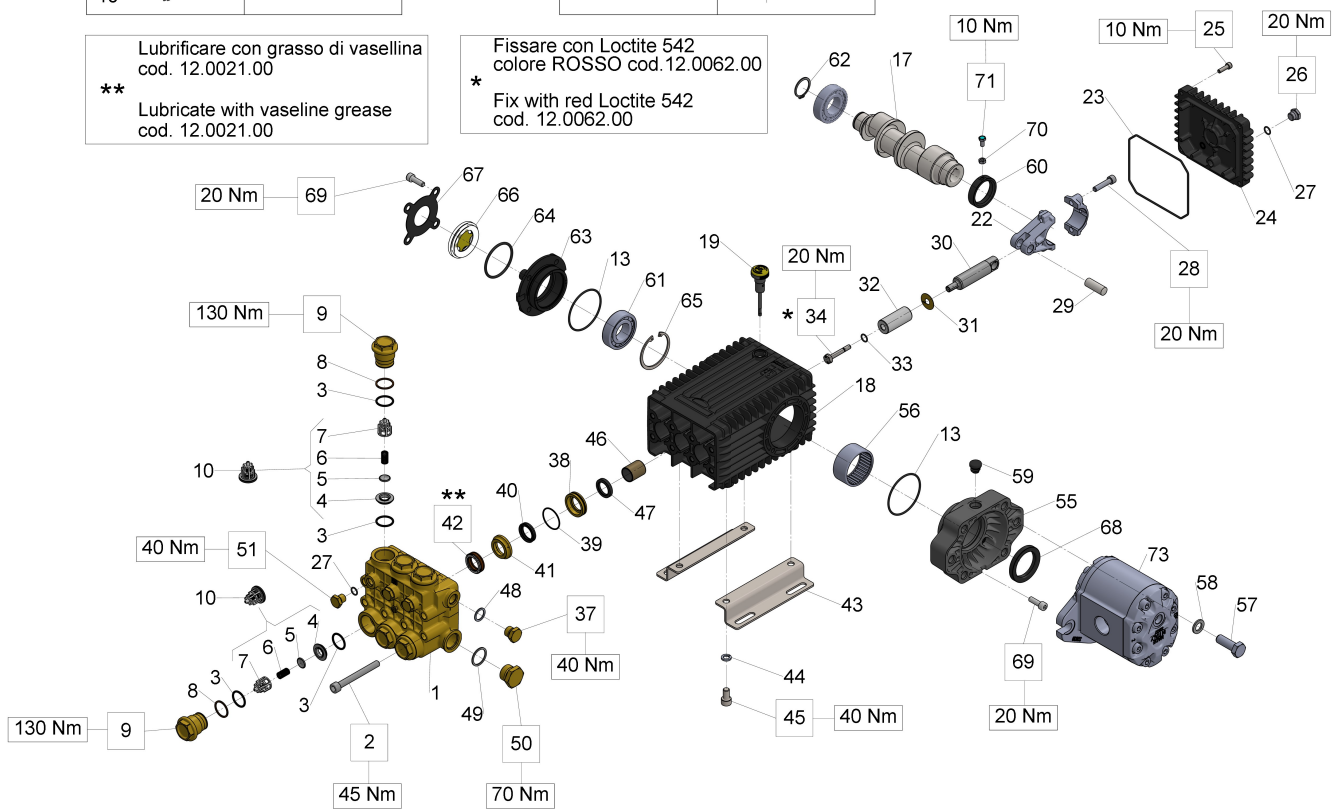


Illustration Hy-Pack version - GAS + gear motor 53cc

Pos.	Code	Description	Qty	Notes
KIT2	34000201	KIT 2 OIL SEAL D. 22X32X5,5	1	
KIT182	34018201	KIT 182 COMPL. SEAL D.24	1	
KIT181	34018101	KIT 181 SEALS D. 24	1	
KIT169	34016901	KIT 169 INTAKE/DEL.VALVE (66)	1	
73	95115820	MOTORE INGR. 053R / S-B CIL / 1 G	1	
71	70227034	VITE M6X12 CON INCAVO COMPLETA	1	
70	92202500	NUT M6 UNI 5588 6S	1	
69	99306900	SCREW M 8x25 UNI 5931	8	
68	90169000	OIL SEAL D. 45X62X8	1	
67	66150274	SIDE COVER	1	
66	44211801	SPACER+OIL LEVEL GAUGE	1	
65	90085000	CIRCLIP D. 62 UNI 7437	1	
64	90409700	O-RING 55,56X3,53 (159)	1	
63	59150022	SIDE CRANKCASE COVER	1	
62	90066700	CIRCLIP D. 30 UNI 7435	1	
61	91837600	ROLLER BEARING NUP206ECP	1	
60	71228971	ANELLO PER ALBERO D.40 H.PACK	1	
59	90206500	PLUG FOR BORE D.17 - TTN19	1	
58	96728200	WASHER 15.0x24.0x2.5 U1749	2	
57	99484800	SCREW M14x40 5739 8.8 ZINC 871034154	2	
56	91858700		1	
55	10087222		1	
51	98204300	PLUG G1/4X10	3	
50	98226800	PLUG G3/4X16	1	
49	96770000	WASHER 26,5X32X1,5	1	
48	96738000	WASHER 17,5X23X1,5	1	
47	90162500	OIL SEAL 22x32x5	3	
46	90912600	BUSHING 22X25X30	3	
45	99364400	SCREW M 10x18-5931	4	
44	96710600	WASHER 10,2	4	
43	47200074	PUMP FOOT	2	
42	90274100	PACKING D. 24X34X10 H.P. 66	3	
41	66216470	INTERMEDIATE RING D. 24	3	
40	90273800	PACKING D.24X32X6.5 L.P.66	3	

Illustration Hy-Pack version - GAS + gear motor 53cc

Pos.	Code	Description	Qty	Notes
39	90361600	O-RING 34,65X1,78 (2137)	3	
38	66080470	RETAINER RING D.24	3	
37	98210000	PLUG G3/8X13	1	
34	66219566	PISTON BOLT	3	
33	90358400	O-RING D.10,82X1,78(2043)90SH3		
32	66040409	PISTON D. 24X54	3	
31	96710100	WASHER D. 10X28X0.5	3	
30	66050066	PISTON GUIDE - S.S.	3	
29	97740500	CONNECTING ROD-PIN D.14X39	3	
28	99309900	SCREW M 8x35 UNI 5931	6	
27	90358500	O-RING 10,82X1,78 (2043)	4	
26	98204250	PLUG G1/4"x12	1	
25	99188400	SCREW M 6x20 UNI 5931	4	
24	66160022	REAR COVER	1	
23	90392200	O-RING D.133.02X 2,62(3525)	1	
22	66030001	CONNECTING ROD	3	
19	98210600	OIL DIP-STICK G3/8X80	1	
18	66010022	CRANKCASE	1	
17	66021365		1	
13	90391300	O-RING 67,95X2,62 (3268)	2	
10	36712701	INTAKE/DEL.VALVE ASSY(66)	6	
9	66130041	VALVE CAP M32x1.5x29.5	6	
8	90516500	ANTI-EXTR.RING D.24.7x29x1.5	6	
7	36203551	VALVE CAGE	6	
6	94738800	SPRING Dm. 10x18.5	6	
5	36203476	SPHERICAL VALVE	6	
4	36203366	VALVE SEAT	6	
3	90385700	O-RING 23,81X2,62 (132)	12	
2	99380100	SCREW M10X90 UNI 5931 8.8	8	
1	66120241	PUMP MANIFOLD (BORE 24)	1	