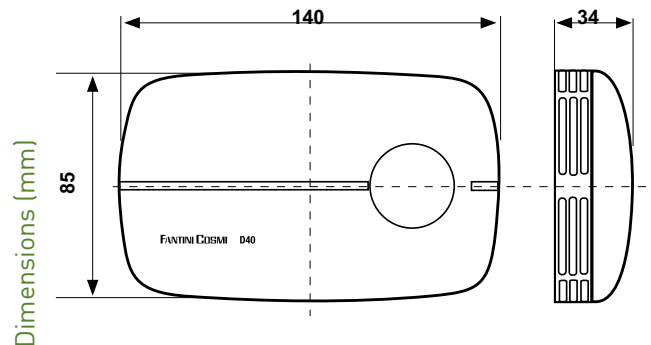


FAN66004

Electronic room humidistat

Electronic room humidistat suitable for humidification or dehumidification systems, for houses and offices.



	Power supply	Contacts rating	Relative humidity range UR%	Differential UR%	Ambient admissible temperature °C	Protection degree
D40	230Vca 50Hz	6(3)A 250Vca	30 ÷ 90	5	0 ÷ 50	IP20

ELECTRICAL CHARACTERISTICS

Power supply: 230Vca 50Hz.

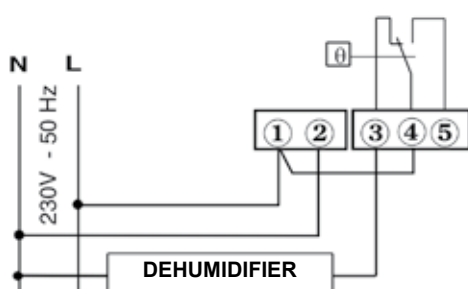
Maximum dissipated power 2VA.

Contacts rating: 6(3)A 250Vca.

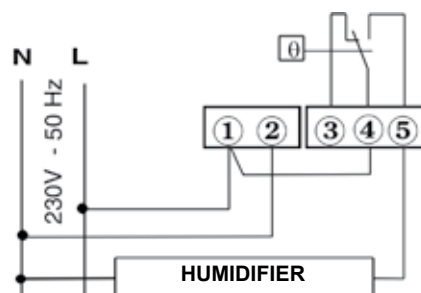
Micro disconnection (1B).

Voltage-free switching contacts.

EXAMPLE OF ELECTRICAL CONNECTION FOR A DEHUMIDIFICATION SYSTEM



EXAMPLE OF ELECTRICAL CONNECTION FOR A HUMIDIFICATION SYSTEM

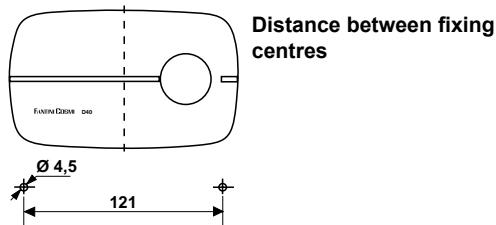


HOMOLOGATION AND STANDARDS

Complies with EN60730-1 standards.

INSTALLATION

Wall mounting.



OPERATION

D40 humidistat detects ambient humidity through a capacitive sensor, compares it with the set value and switches the output relay for the humidification or dehumidification mode.

When humidity rises: opens 3-4 contacts and closes 4-5 contacts.

Electronic capacitive type sensing element.

N.B. It is recommended for environments that do not exceed 85% RH , for environments with higher humidity contact our technical department.

FEATURES

LED Indication: "On" when ambient humidity is higher than the set value.

Casing in V0 self-extinguishing, shockproof thermoplastic material.

Unit weight 0,16 Kg.