

ELV

solenoid valve

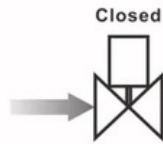
BRASS STREAM VALVES

2/2-Way Pilot Operated Piston Solenoid Valve . Normally closed

- 1:** 2-Way normally closed solenoid valve; Closed when de-energized, open when energized.
- 2:** Body material: brass
- 3:** Max. Allowable pressure 40kgf/cm²;
Ambient Temp. 0°C~65°C (F CLASS) , 0°C~80°C (H CLASS)
- 4:** Serialized products, small in size, large flow rate, widely use.
- 5:** Flow as the arrow, mounts in any position; Best position is Solenoid vertical and upright direction.
- 6:** Voltage: 220VAC/230VAC/240VAC/110VAC/24VAC 50/60HZ 24VDC/12VDC;
Voltage Tolerance: + 10% to -10%applicable voltage.
- 7:** Coil can fix Germany NASS Coil,Standard storage: 220VAC/230VAC/240VAC 50/60HZ 24V
- 8:** This series valves are offered Teflon for Seals to provide on-off control of various fluids.

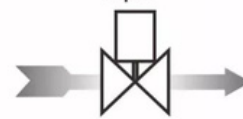


Normally Closed

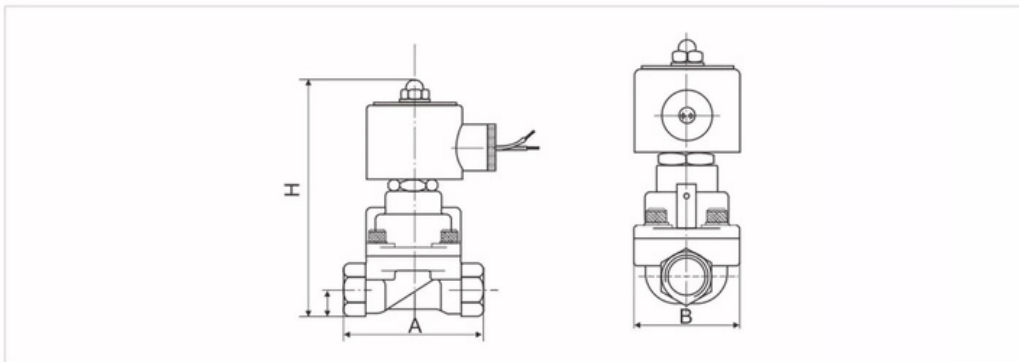


De-energized
Closed

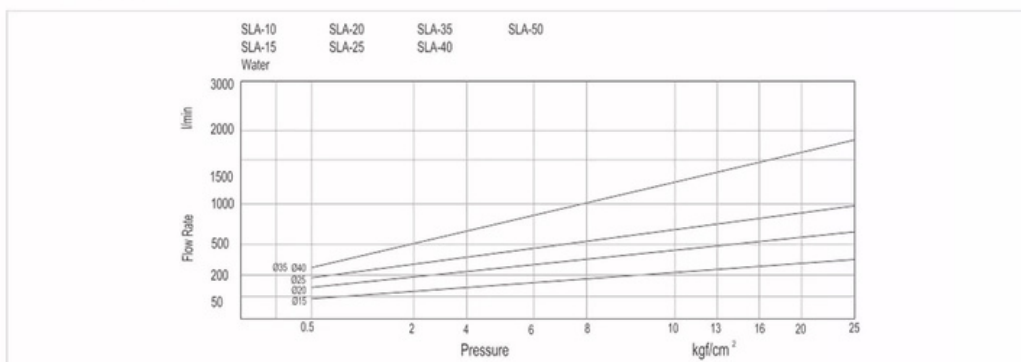
Energized
Open



Construction, External Dimensions Chart



Flow Chart



2/2-Way Pilot Operated Piston Solenoid Valve . Normally closed

Pipe Conn- ection	Orifice mm	CV Factor	Operating pressure differential (kgf/cm ²)								Max. Fluids Temp.	Coil Type	Power consumption		Coil Class	External Dimensions Length x Width x Height A x B x H	Model Code Follows Voltage are 220VAC 50/60HZ	Weight (KG)
			Max.										VA	W				
			Air Gas		Water Hot water Liquids		Light oil		Steam AC/ DC	AC 220 V			DC 24 V					
			AC	DC	AC	DC	AC	DC										
Min.																		
1/2 "	15	4.5	0.5	25	20	25	20	20	20	10	185	W	30	25	H	75×52×129	ELV35004	1.2
3/4 "	20	9.0	0.5	25	20	25	20	20	20	10	185	W	30	25	H	85×60×141	ELV35006	1.5
1 "	25	13	0.5	25	20	25	20	20	20	10	185	W	30	25	H	100×70×148	ELV35008	1.9
1 1/4 "	35	26	0.5	25	20	25	20	20	20	10	185	W	30	25	H	120×90×168	ELV35010	3.6
1 1/2 "	35	26	0.5	25	20	25	20	20	20	10	185	W	30	25	H	120×90×168	ELV35012	3.5

ELV

solenoid valve

1/4

INOX STREAM VALVES

2/2-Way Pilot Operated Piston Solenoid Valve . Normally closed

- 1:** 2-Way normally closed solenoid valve;
Closed when de-energized, open when energized.
- 2:** Body material:304 stainless steel (standard) , 316 stainless steel (special made)
- 3:** Max. Allowable pressure 40kgf/cm²;
Ambient Temp. 0°C~65°C (F CLASS) , 0°C~80°C (H CLASS)
- 4:** Serialized products, small in size, large flow rate, widely use.
- 5:** Flow as the arrow, mounts in any position; Best position is
Solenoid vertical and upright direction.
- 6:** Voltage: 220VAC/230VAC/240VAC/110VAC/24VAC 50/60HZ 24VDC/12VDC;
Voltage Tolerance: + 10% to -10%applicable voltage.
- 7:** Coil can fix Germany NASS Coil,Standard storage: 220VAC/230VAC/240VAC 50/60HZ 24VDC
- 8:** This series valves are offered Teflon for Seals to provide on-off control of various fluids.

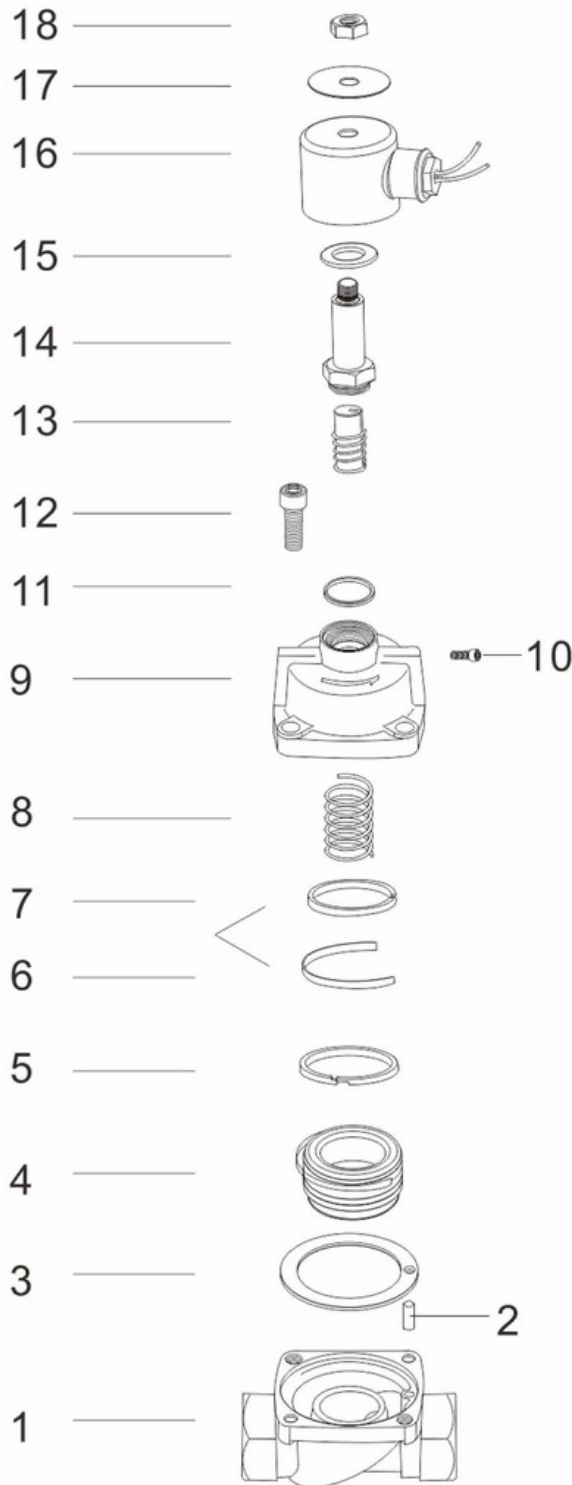


Valve Selection List (Female Thread)

Pipe Conn- ection	Orifice mm	CV Factor	Operating pressure differential (kgf/cm ²)								Max. Fluids Temp.	Coil Type	Power consumption		Coil Class	External Dimensions Length x Width x Height A x B x H	Model Code Follows Voltage are 220VAC 50/60HZ	Weight (KG)
			Max.										VA	W				
			Min.	Air Gas		Water Hot water Liquids		Light oil		Steam AC/ DC								
				AC	DC	AC	DC	AC	DC				DC					
3/8 "	15	4.5	0.5	25	20	25	20	20	20	10	185	W	30	25	H	75×52×129	ELV40002	1.25
1/2 "	15	4.5	0.5	25	20	25	20	20	20	10	185	W	30	25	H	75×52×129	ELV40004	1.2
3/4 "	20	9.0	0.5	25	20	25	20	20	20	10	185	W	30	25	H	85×60×141	ELV40006	1.5
1 "	25	13	0.5	25	20	25	20	20	20	10	185	W	30	25	H	100×70×148	ELV40008	1.9

2/2-Way Pilot Operated Piston Solenoid Valve . Normally closed

Components Chart



Code	Components
01	Valve Body
02	Fixed Bolt
03	Body Seals Ring
04	Piston Assembly
05	Piston Ring 1
06	Elastic Ring
07	Piston Ring 2
08	Piston Spring
09	Valve Cover
10	Steel Ball
11	Plunger Tube Seal Ring
12	Bolts
13	Plunger Assembly
14	Plunger Tube Assembly
15	Plate
16	Coil
17	Label
18	Lock nut