

ELV25006

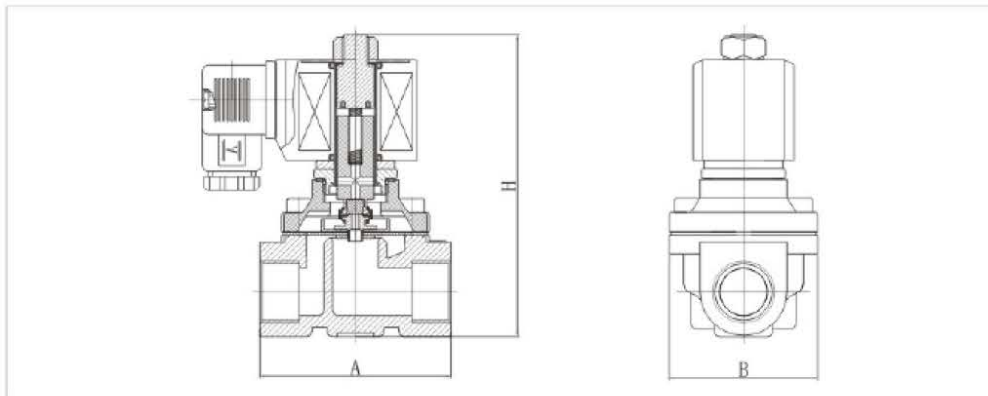


- 1: 2-Way normally closed solenoid valve, Closed when de-energized, open when energized.
- 2: Body material: 304 stainless steel and 316 stainless steel
- 3: Fluids Temp: 0°C~120°C; Ambient Temp. 0°C~65°C
- 4: Serialized products, small in size, large flow rate, widely use
- 5: Flow as the arrow, mounts in any position; Best position is Solenoid vertical and upright direction.
- 6: Voltage: 220VAC/230VAC/240VAC/110VAC/24VAC 50/60HZ 24VDC/12VDC;
Voltage Tolerance: +10% to -10% applicable voltage
- 7: Coil can fix Germany Nass Coil, for orifice under DN25 only.
- 8: This series valves are offered NBR、VITON、EPDM etc
for Seals and diaphragm to provide on-off control of various fluids.

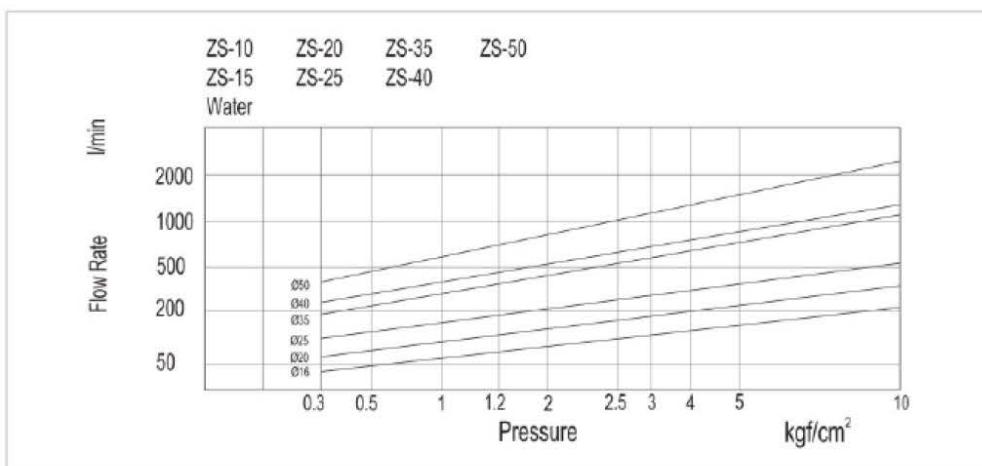


Pipe Conn- ection	Orifice mm	CV Factor	Operating pressure differential (kgf/cm ²)								Max. Fluids Temp.	Coil			External Dimensions Length x Width x Height A x B x H	Weight KG	Model Code Follows Voltage are 220VAC 50/60HZ
			Min.	Max.						F Class Type		Power consumption					
				Air Gas		Water Hot water Liquids		Light oil				VA	W				
				AC	DC	AC	DC	AC	DC			AC 220 V	DC 24 V				
1/2"	16	4.8	0	10	6	10	6	7	4	80	D	20	20	69×57×106	0.85		

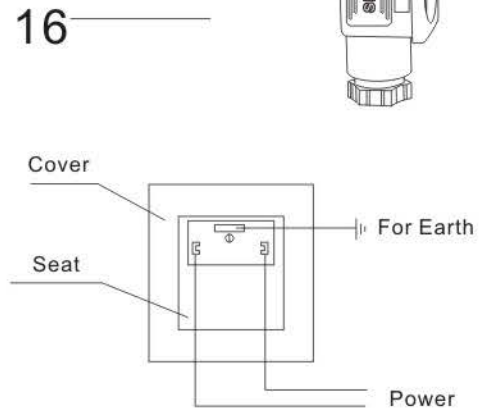
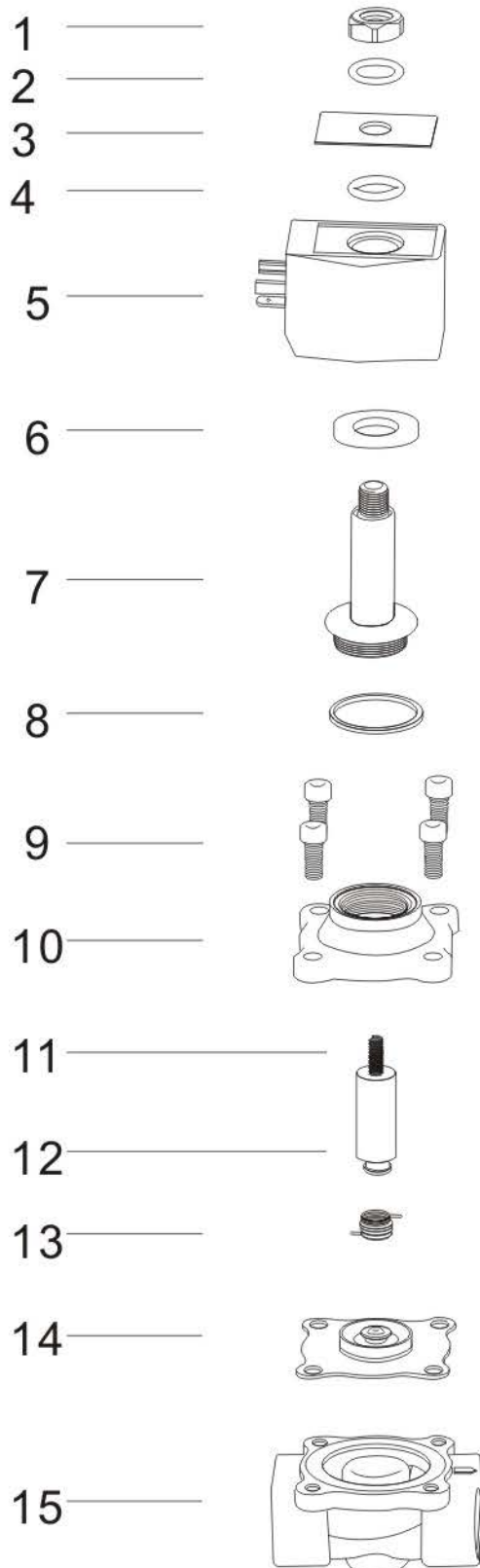
External Dimensions Chart



Flow Chart



Components Chart



Electric Wirig Chart

Code	Components
01	Locknut
02	Gasket
03	Label
04	O Ring
05	Coil
06	Plate
07	Plunger Tube Assembly
08	Plunger Tube Seal Ring
09	Bolts
10	Valve Cover
11	Plunger Spring
12	Plunger Assembly
13	Diaphragm Spring
14	Diaphragm Assembly
15	Valve Body
16	Plug