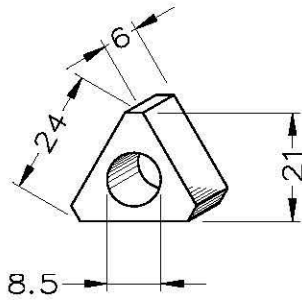


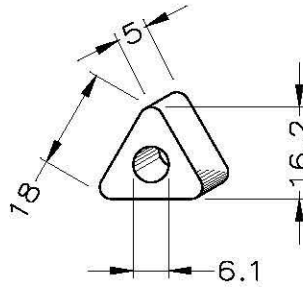
ELC17002 à 16

INSULATING CERAMIC

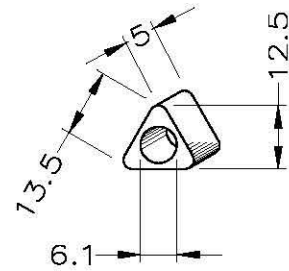
COUPLING INSULATING TRIANGULAR SPACERS



MOD. IS-2
COD. 73831



MOD. IS-8
COD. 11919

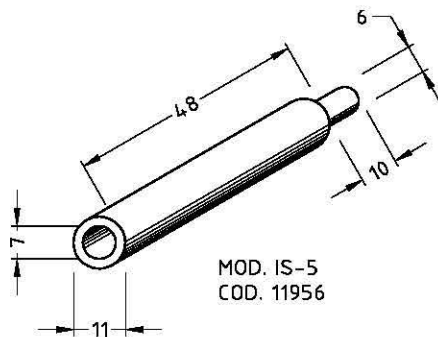


MOD. IS-9
COD. 11920

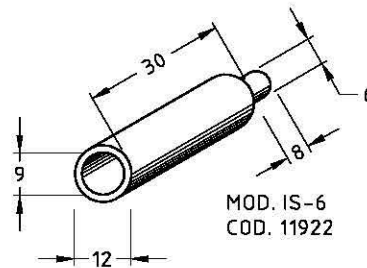
Material: Alumina

0500001

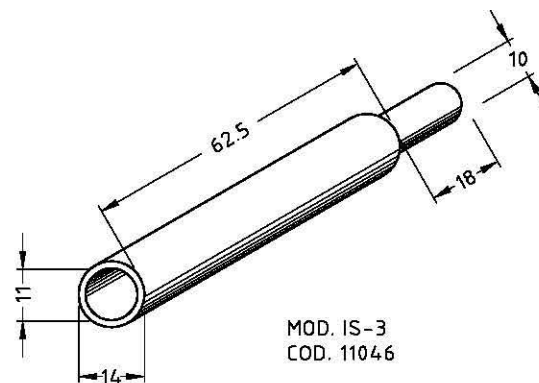
SIMPLE OR COUPLING INSULATING SPACERS



MOD. IS-5
COD. 11956



MOD. IS-6
COD. 11922

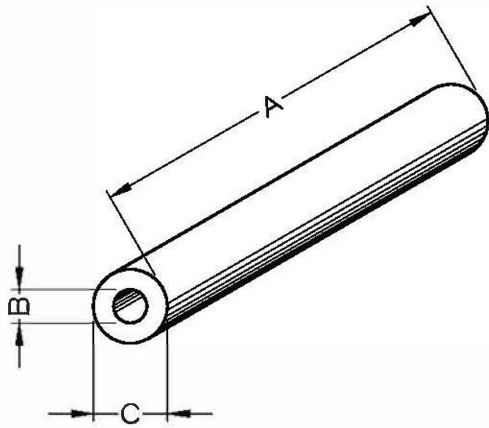


MOD. IS-3
COD. 11046

Catalog no.	internal ø mm
IS - 3	4,5
IS - 5	3,5
IS - 6	3,5

0500002

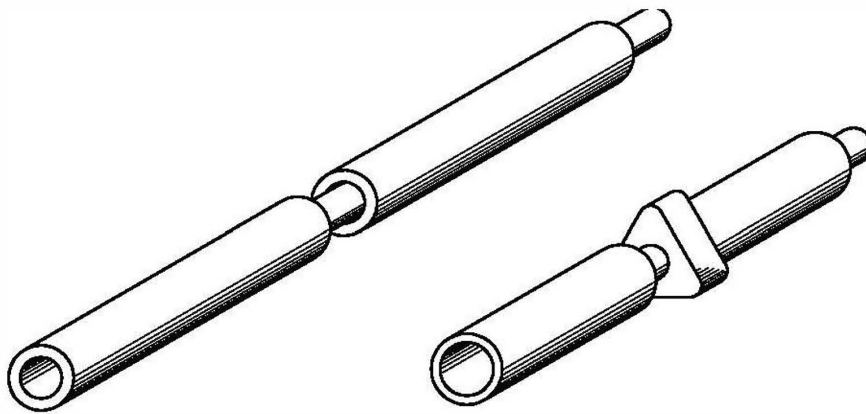
INSULATING SPACERS



Catalog no.	A mm	ø B mm	ø C mm	Code
IS - 1	60	3.5	8	73830
IS - 4	50	4.5	10	73832
IS - 10	220	3.5	6.5	74257
IS - 11	300	3	8	12709

D500003

INSULATING SPACERS



D500004