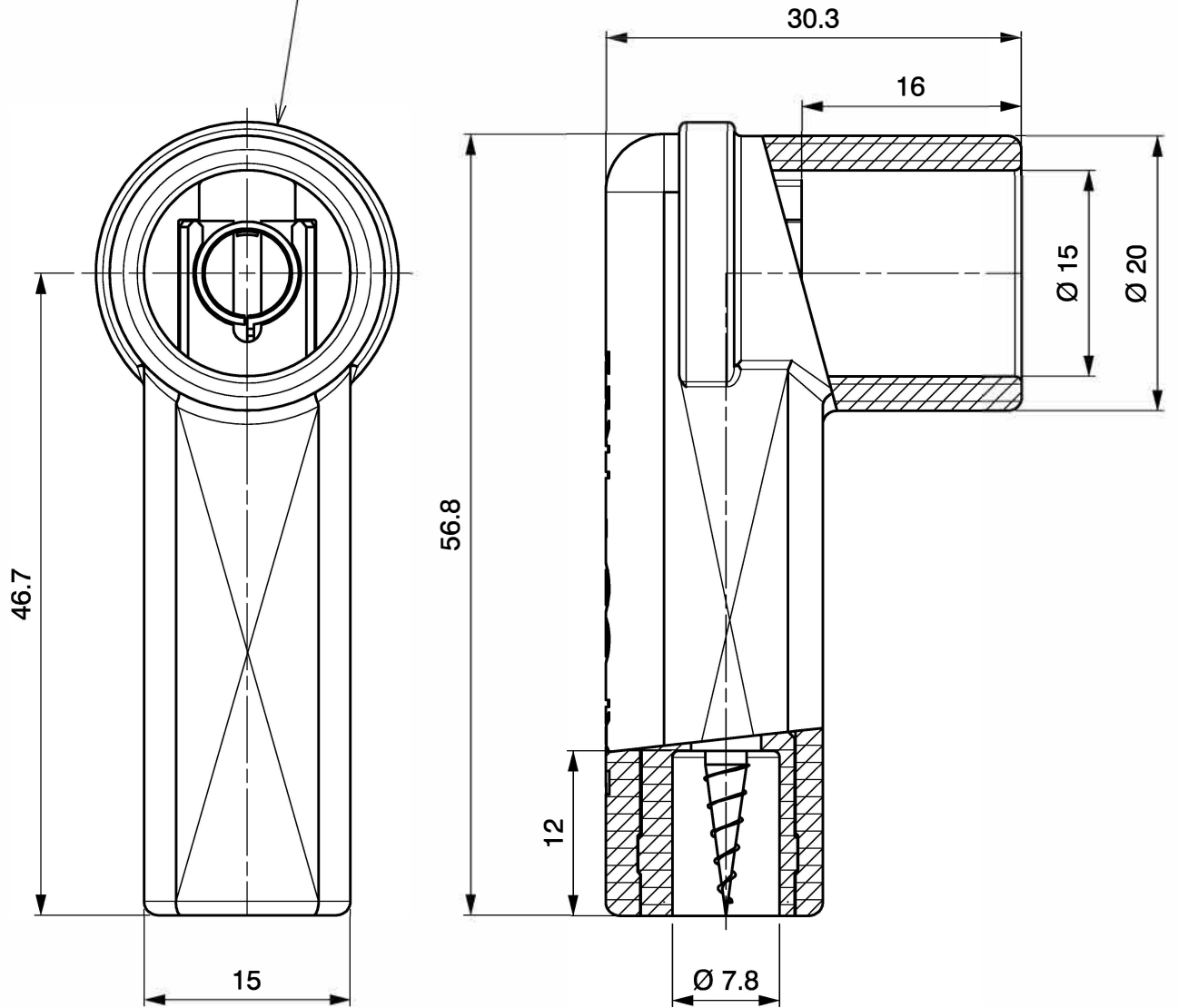


Rigid angle boot  
 polyamid 6-6-6 V.O. (200°C)  
 + Ø6,35 connector  
 + 1000 ohms resistor



Modifications	00	29.05.13					
				A4		Ech: 2:1	N° PLANCHE 1/1