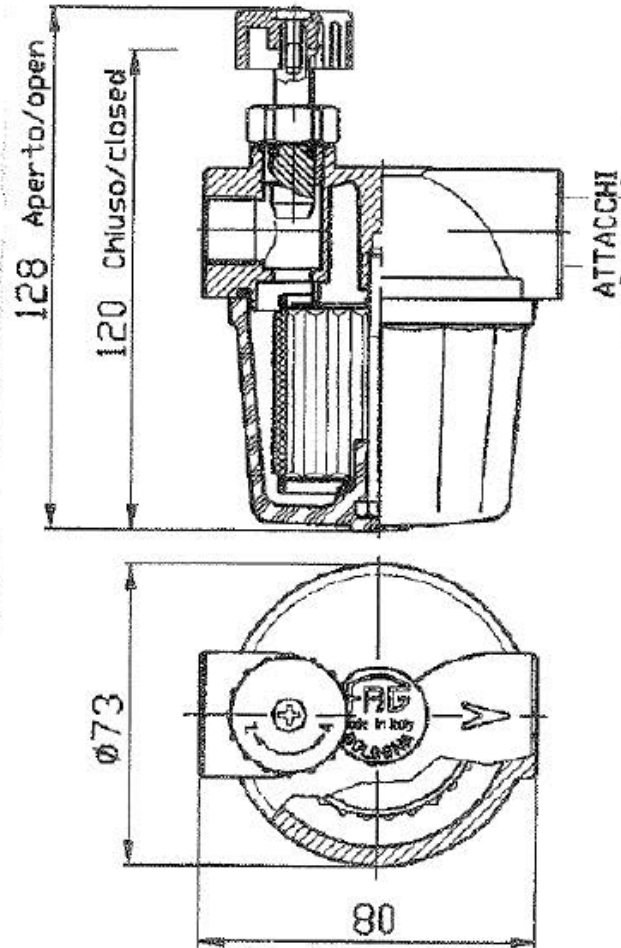


ALI10016



ARTICOLO - ARTICLE VASC. PLASTICA	ATTACCHI CONNECTIONS	CARTUCCIA FILTRANTE FILTER CARTRIDGE	TIPO - SUPERF. FILTRANTE TYPE - FILTERING SURFACE
20231/PL 20232/PL	3/8" - 3/8" 1/2" - 1/2"	20201/C1 100 μm	INOX GRECATA - cm ² 105