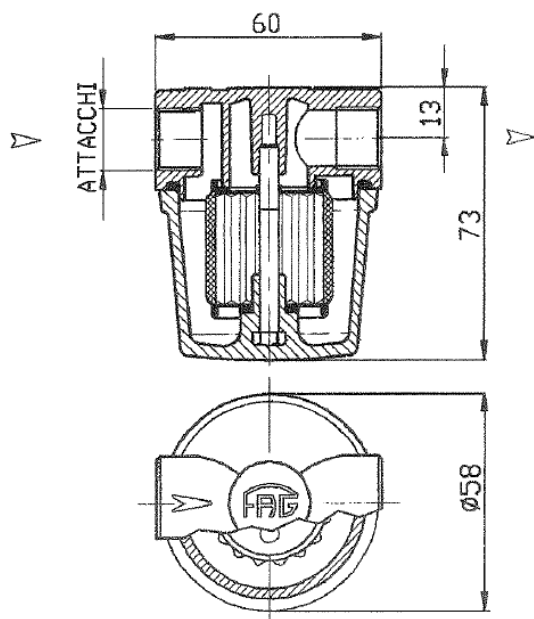


# ALI10012



v	ARTICOLO - ARTICLE VASC. PLASTICA	ATTACCHI CONNECTIONS	CARTUCCIA FILTRANTE FILTER CARTRIDGE	TIPO - SUPERF. FILTRANTE TYPE - FILTERING SURFACE
	20101/PL 20103/PL	3/8" - 3/8" 1/4" - 1/4"	20101/C1 100 μm	INOX GRECATA - cm <sup>2</sup> 48